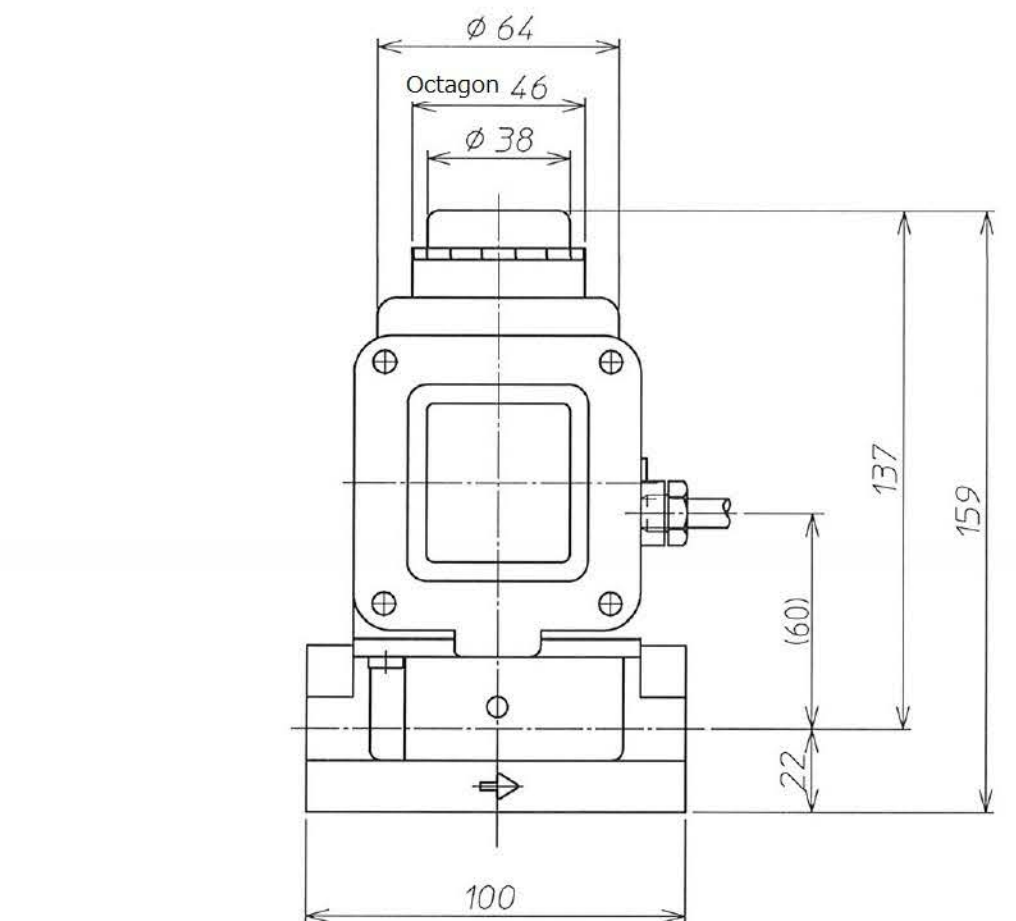
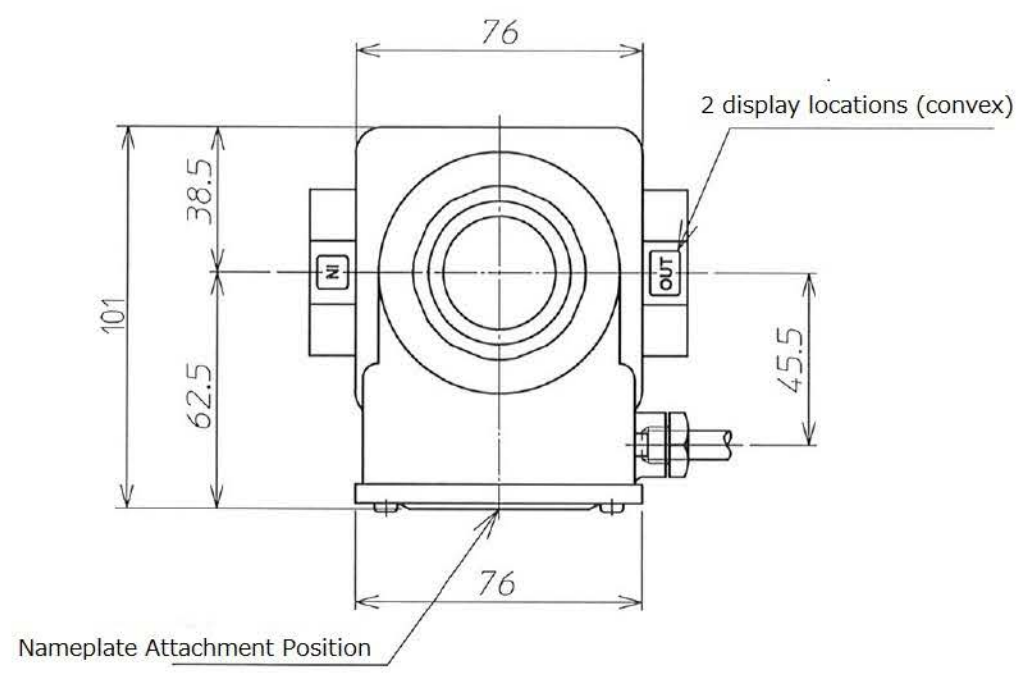


1 2 3 4 5 6 7 8

A
B
C
D
E
F

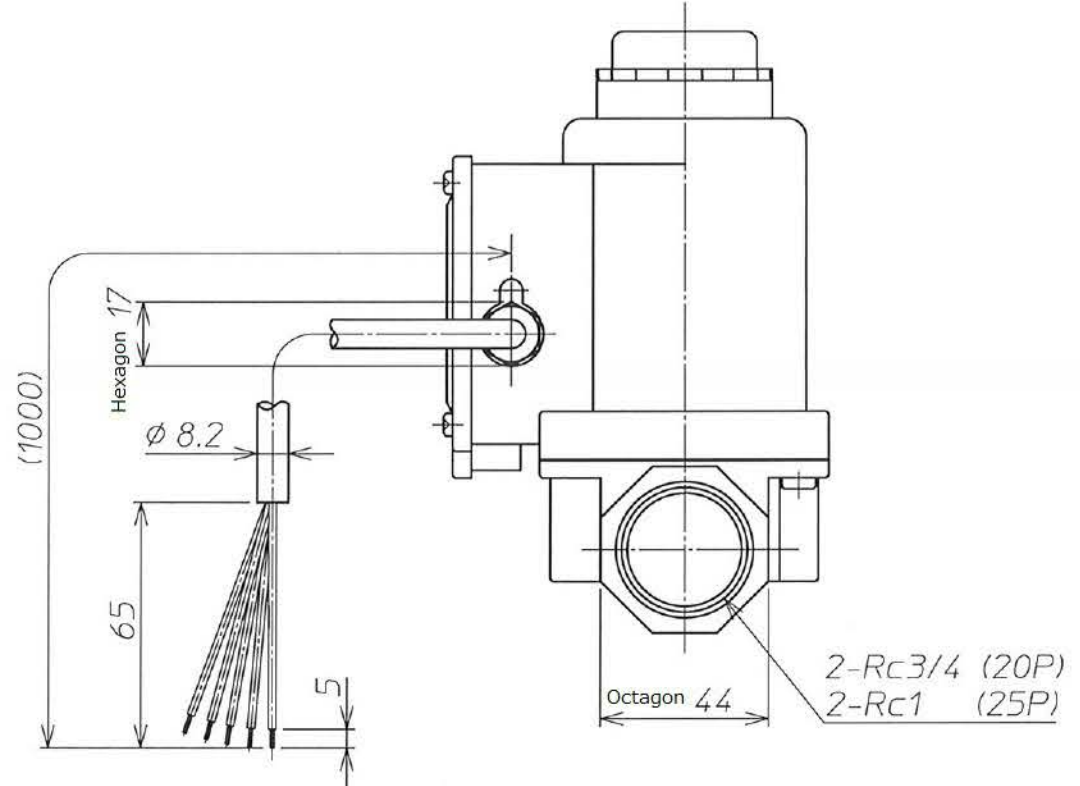
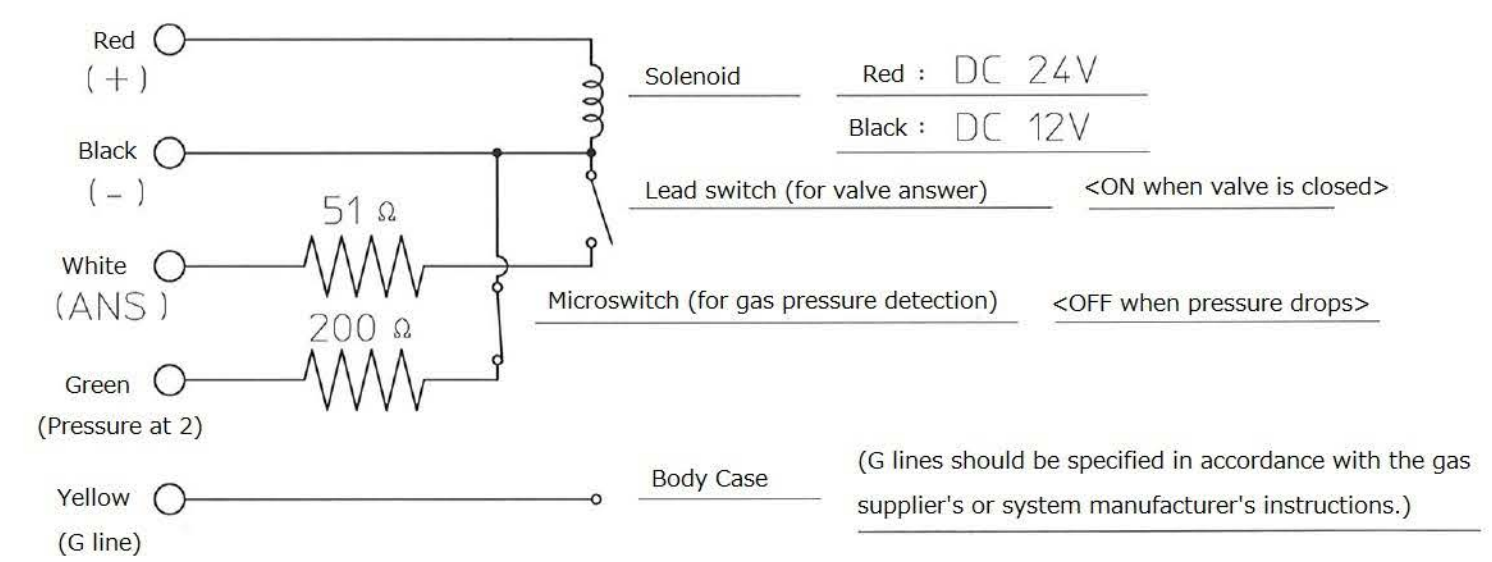


(Note 1) Appearance Coating Industry Association UN-60 (Munsell N-6 equivalent)

(2) Open/close indication

Blue indication when valve is open: indicated by blue reset button on transparent display cap

Wiring diagram



Model : KCV-2-25P

<table border="1"> <tr> <td>3</td> <td></td> <td></td> <td></td> </tr> <tr> <td>2</td> <td></td> <td></td> <td></td> </tr> <tr> <td>1</td> <td>1</td> <td>12.4.1</td> <td>Figure Frame Change</td> </tr> <tr> <td>MARK</td> <td>COUNT</td> <td>DATE</td> <td>REVISION</td> </tr> </table>				3				2				1	1	12.4.1	Figure Frame Change	MARK	COUNT	DATE	REVISION	MATERIAL PROJECTION 		REMARK For LP gas, 20P dual-use NAME OUTLINE VIEW AND SPECIFICATION DRAWING No. Z-KCV225P-A000A
3																						
2																						
1	1	12.4.1	Figure Frame Change																			
MARK	COUNT	DATE	REVISION																			
APPROVED	CHECKED	DRAWN	DATE	Azbil Kimmon Co.,Ltd. JAPAN																		
Okuno	Tadokoro	Ogyu	1999.3.19																			

1 2 3 4 5 6 7 8