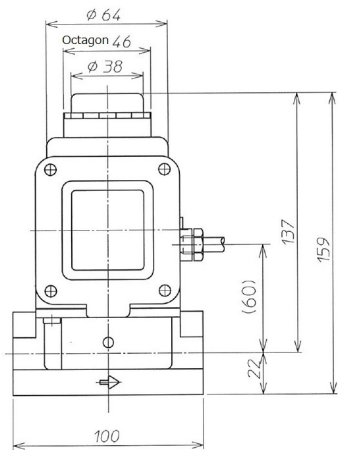


Nameplate Attachment Position

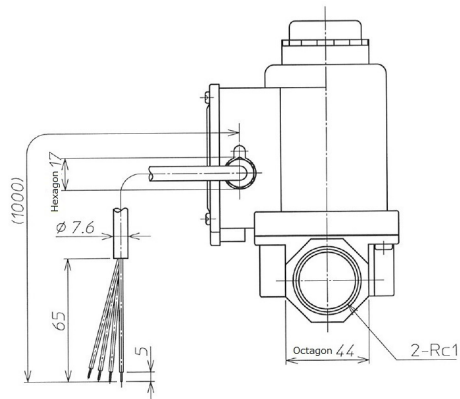
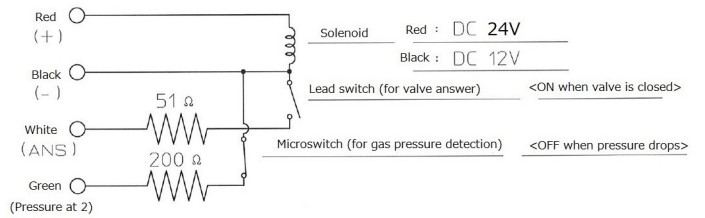


(Note 1) Appearance Coating Industry Association UN-60 (Munsell N-6 equivalent)

(2) Open/close indication

Blue indication when valve is open: indicated by blue reset button on transparent display cap

Wiring diagram



Model : KCV-2-25T

				MATERIAL	REMARK
					For LP gas
MARK	COUNT	DATE	REVISION	PROJECTION	SCALE
	1	12.4.1	Figure Frame Change		N/A
APPROVED	CHECKED	DRAWN	DATE	NAME	
Okuno	Tadokoro	Ogyu	1999.3.19	Azbil Kimmon Co.,Ltd. JAPAN	
				DRAWING No.	
				Z-KCV225T-A00A	