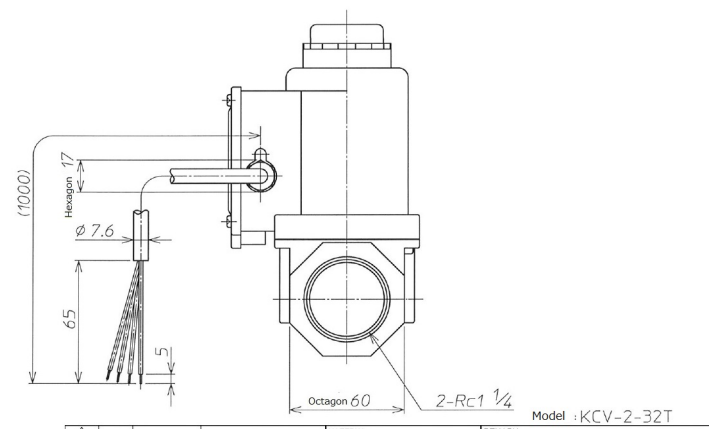
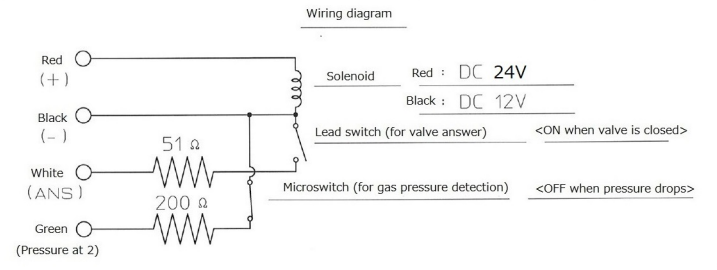


(Note 1) Appearance Coating Industry Association UN-60 (Munsell N-6 equivalent)

(2) Open/close indication

Blue indication when valve is open: indicated by blue reset button on transparent display cap



				MATERIAL	REMARK
					For LP gas
MARK	COUNT	DATE	REVISION	PROJECTION	SCALE
APPROVED	CHECKED	DRAWN	DATE		N/A
Okuno	Tadokoro	Ogyu	1999.3.19	Azbil Kimmon Co., Ltd. JAPAN	NAME OUTLINE VIEW AND SPECIFICATION
				DRAWING No.	Z-KCV232T-A000A