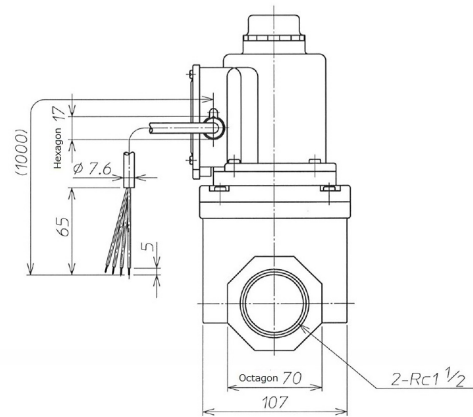
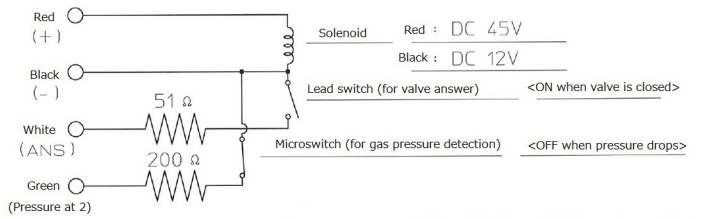


(Note 1) Appearance Coating Industry Association UN-60 (Munsell N-6 equivalent)

(2) Open/close indication

Blue indication when valve is open: indicated by blue reset button on transparent display cap

Wiring diagram



Model : KCV-2-40T

				MATERIAL		REMARK	
						For LP gas	
△	1	12.4.1	Figure Frame Change	PROJECTION	SCALE	NAME	
△	1	12.4.1	REVISION	⊕	N/A	OUTLINE VIEW AND SPECIFICATION	
APPROVED	CHECKED	DRAWN	DATE	Azbit Kimmon Co., Ltd. JAPAN		DRAWING No.	
Okuno	Tadokoro	Ogyu	1999.3.19			Z-KCV240T-A000A	