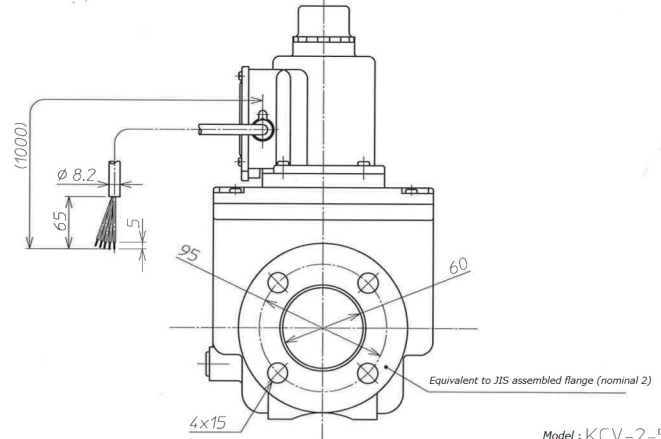
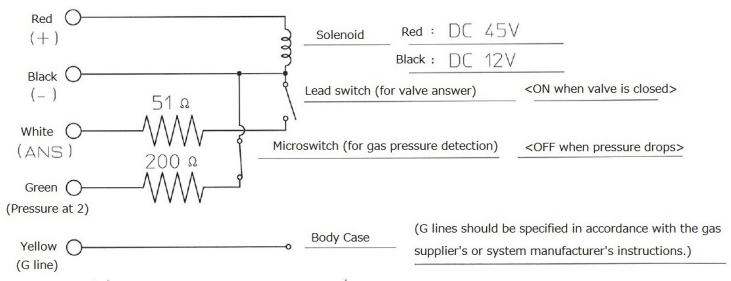


(Note 1) Appearance Coating Industry Association UN-60 (Munsell N-6 equivalent)

(2) Open/close indication

Blue indication when valve is open: indicated by blue reset button on transparent display cap

Wiring diagram



Model : KCV-2-50P

  	5	16	6	17	Flange welding, plate steel color and dimensions for specification Figure Frame Change	MATERIAL PROJECTION 	SCALE N/A	REMARK For LP gas
	1	12	4	1				
MARK	COUNT	DATE	REVISION	DATE	APPROVED	CHECKED	DRAWN	DATE
				1999.3.19	Masuda	Katagiri	Ito	
Azbil Kimmon Co., Ltd. JAPAN						NAME OUTLINE VIEW AND SPECIFICATION DRAWING No. Z-KCV250P-A000A		