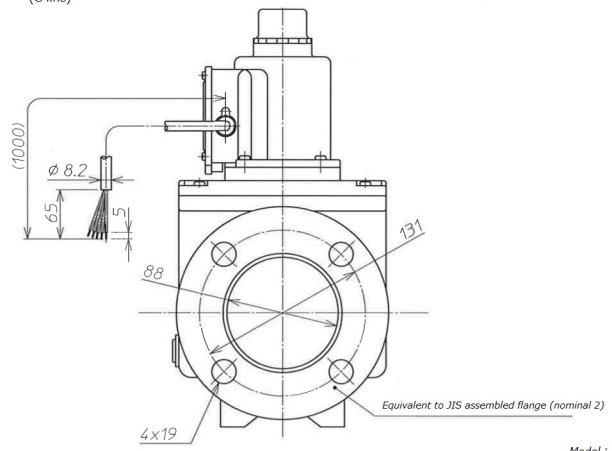
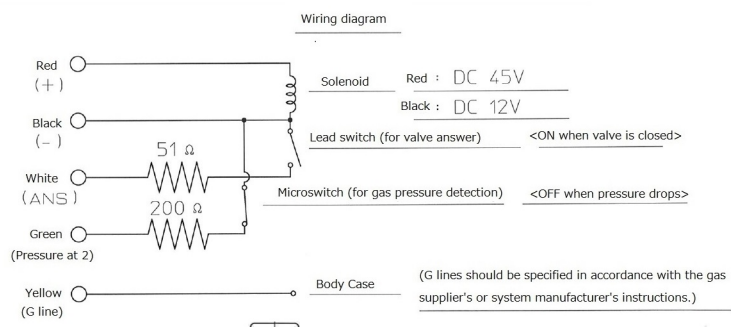


(Note 1) Appearance Coating Industry Association UN-60 (Munsell N-6 equivalent)

(2) Open/close indication

Blue indication when valve is open: indicated by blue reset button on transparent display cap



Model : KCV-2-80P

MATERIAL				REMARK	
For LP gas					
PROJECTION		SCALE		NAME	
N/A		N/A		OUTLINE VIEW AND SPECIFICATION	
APPROVED	CHECKED	DRAWN	DATE	DRAWING No.	
Masuda	Katagiri	Ito	1999.3.19	Z-KCV280P-A000A	