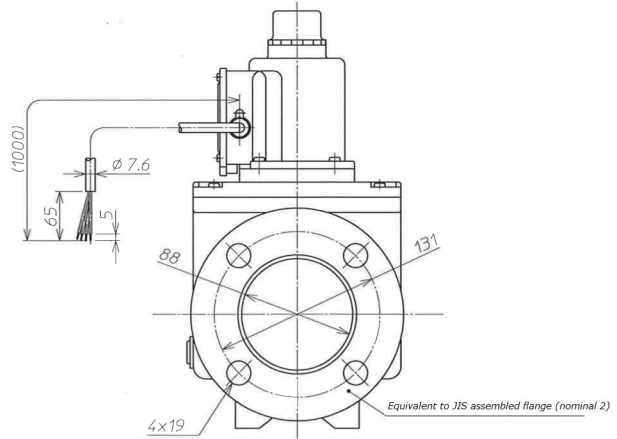
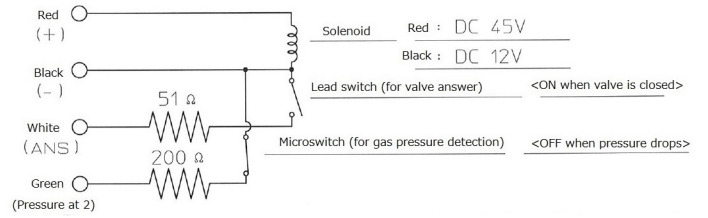


(Note 1) Appearance Coating Industry Association UN-60 (Munsell N-6 equivalent)

(2) Open/close indication

Blue indication when valve is open: indicated by blue reset button on transparent display cap

Wiring diagram



Model : KCV-2-80T

	5	16	6	17	Finger seal, open view state, top section, depression line correction	MATERIAL PROJECTION 	SCALE N/A	REMARK For LP gas	
	1	12	4	1					Figure Frame Change
MARK	COUNT	DATE	REVISION	DATE	APPROVED	CHECKED	DRAWN	DATE	
				1999.3.19	Masuda	Katagiri	Itou		
APPROVED Masuda						CHECKED Katagiri		DRAWN Itou	
MATERIAL Azbil Kimmon Co.,Ltd. JAPAN						PROJECTION 		SCALE N/A	
REMARK For LP gas						NAME OUTLINE VIEW AND SPECIFICATION		DRAWING No. Z-KCV280T-A000A	