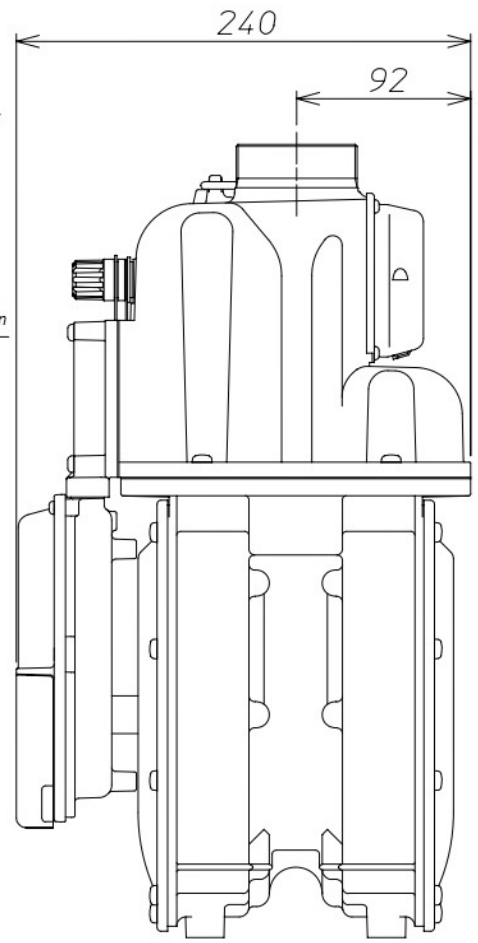
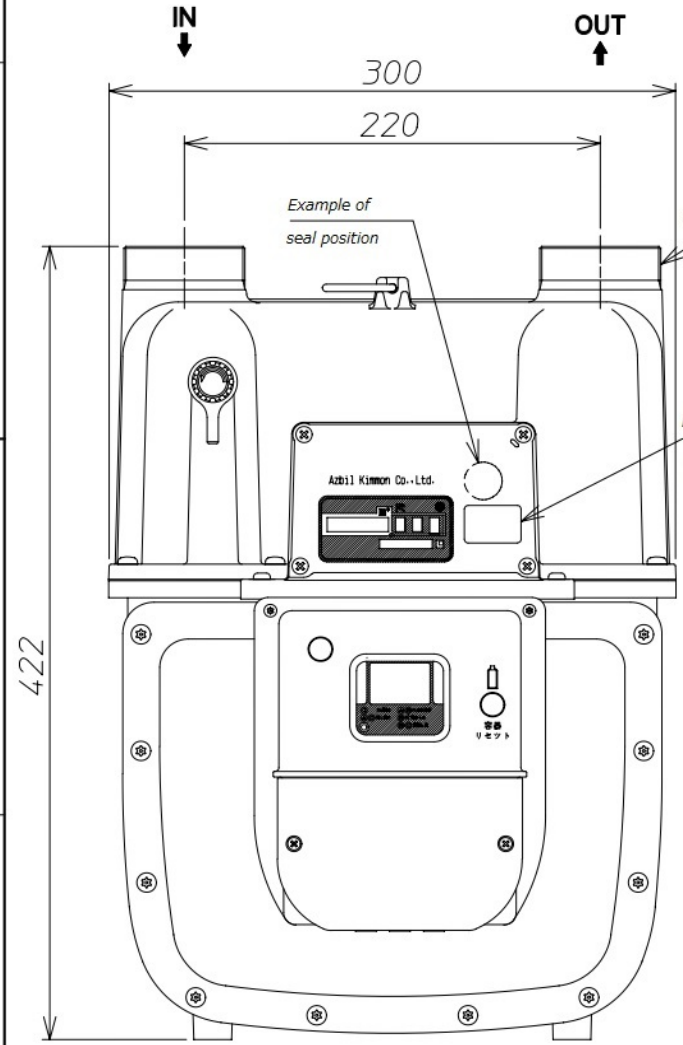


Microcomputer meter for business use			
Type		SBK10-200	SBK16-200
Qmax.	m ³ /h	10	16
Pmax.	kPa	10	
Max. indicating Vol.	m ³	99999	
Min. indicating Vol.	L	2	
Startup flow rate	L/h	3	
Cyclic volume	L/rev.	4	
Connection pipe		32A	40A
Connection screw		M56x2	M64x2
Weight	kg	11.8	



③				MATERIAL	REMARK
②					
①				PROJECTION	SCALE
MARK	COUNT	DATE	REVISION		1:4
APPROVED	CHECKED	DRAWN	DATE	Azbil Kimmon Co.,Ltd. JAPAN	DRAWING No.
Ishiseki	t.suzuki	Shimizu	2014.16		Z-SBK16-A000B