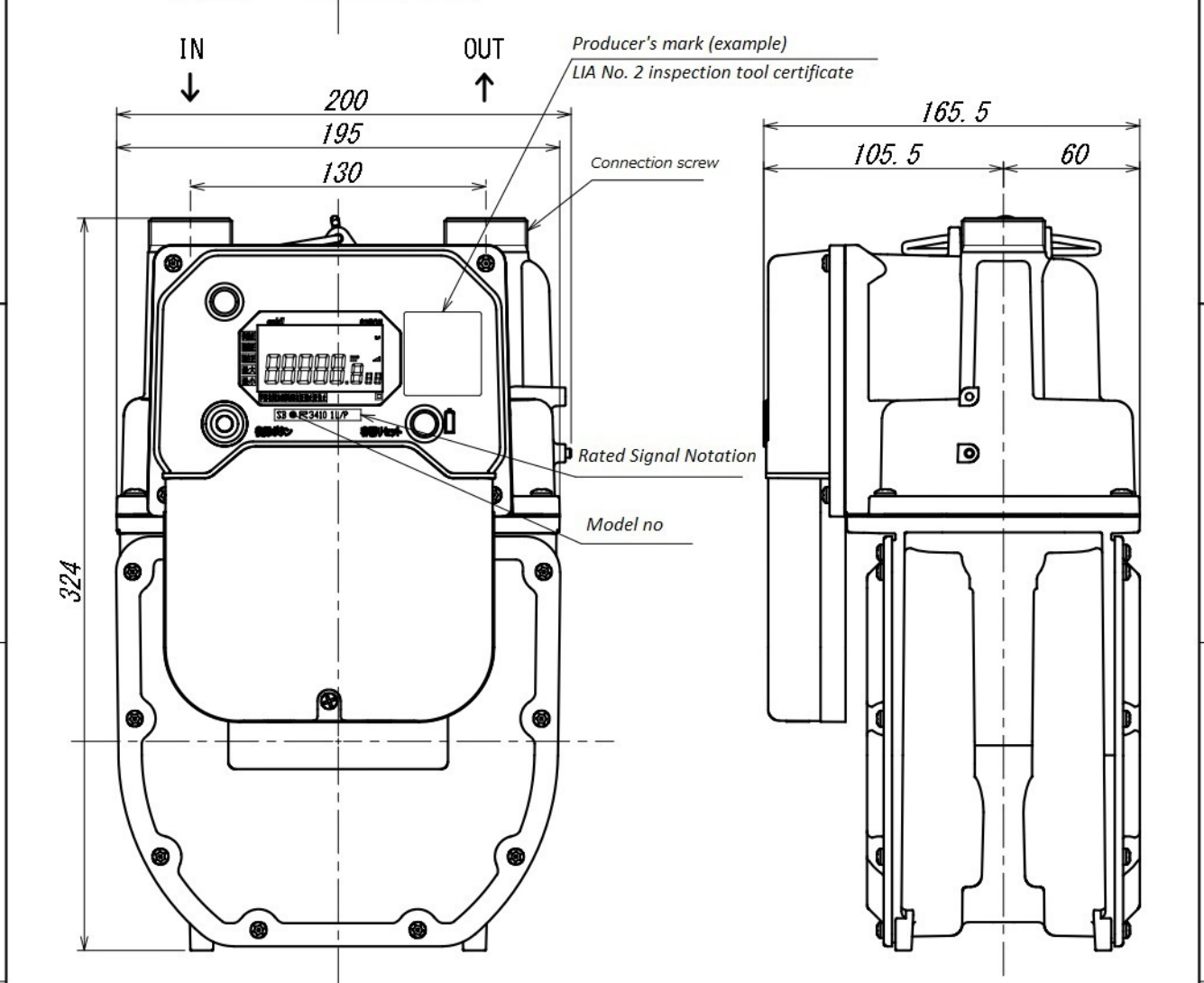
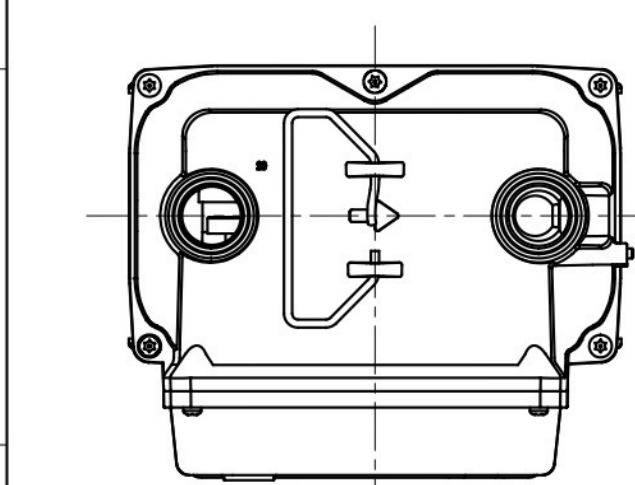


	1	2	3	4																																					
	Pulse Specifications			Microcomputer meter for business use																																					
A				<table border="1" style="width: 100%;"> <thead> <tr> <th>Type</th> <th>SBK4A</th> <th>SBK4B</th> <th>SBK4S</th> </tr> </thead> <tbody> <tr> <td>Qmax.</td> <td><math>m^3/h</math></td> <td colspan="2" style="text-align: center;">4</td> </tr> <tr> <td>Pmax.</td> <td><math>kPa</math></td> <td colspan="2" style="text-align: center;">10</td> </tr> <tr> <td>Max. indicating Vol.</td> <td><math>m^3</math></td> <td colspan="2" style="text-align: center;">9999</td> </tr> <tr> <td>Min. indicating Vol.</td> <td><math>L</math></td> <td colspan="2" style="text-align: center;">0.2</td> </tr> <tr> <td>Cyclic volume</td> <td><math>L/rev.</math></td> <td colspan="2" style="text-align: center;">1.74</td> </tr> <tr> <td>Connection pipe</td> <td colspan="3" style="text-align: center;">20A</td> </tr> <tr> <td>Connection screw</td> <td><math>M34 \times 1.5</math></td> <td><math>M36.3 \times 1.5</math></td> <td><math>M36 \times 2</math></td> </tr> <tr> <td>Weight</td> <td><math>kg</math></td> <td colspan="2" style="text-align: center;">4.0</td> </tr> </tbody> </table>		Type	SBK4A	SBK4B	SBK4S	Qmax.	$m^3/h$	4		Pmax.	$kPa$	10		Max. indicating Vol.	$m^3$	9999		Min. indicating Vol.	$L$	0.2		Cyclic volume	$L/rev.$	1.74		Connection pipe	20A			Connection screw	$M34 \times 1.5$	$M36.3 \times 1.5$	$M36 \times 2$	Weight	$kg$	4.0	
	Type	SBK4A	SBK4B	SBK4S																																					
	Qmax.	$m^3/h$	4																																						
	Pmax.	$kPa$	10																																						
	Max. indicating Vol.	$m^3$	9999																																						
	Min. indicating Vol.	$L$	0.2																																						
	Cyclic volume	$L/rev.$	1.74																																						
	Connection pipe	20A																																							
	Connection screw	$M34 \times 1.5$	$M36.3 \times 1.5$	$M36 \times 2$																																					
	Weight	$kg$	4.0																																						



F	③				MATERIAL	REMARK
	②				PROJECTION	SCALE
	①					1:3
	MARK	COUNT	DATE	REVISION	NAME OUTLINE VIEW AND SPECIFICATION	
APPROVED	CHECKED	DRAWN	DATE	DRAWING No.		
Ishiseki	t.suzuki	Shimizu	2021.1.28	Z-SBK4-A100A		
				Azbil Kimmon Co.,Ltd. JAPAN		