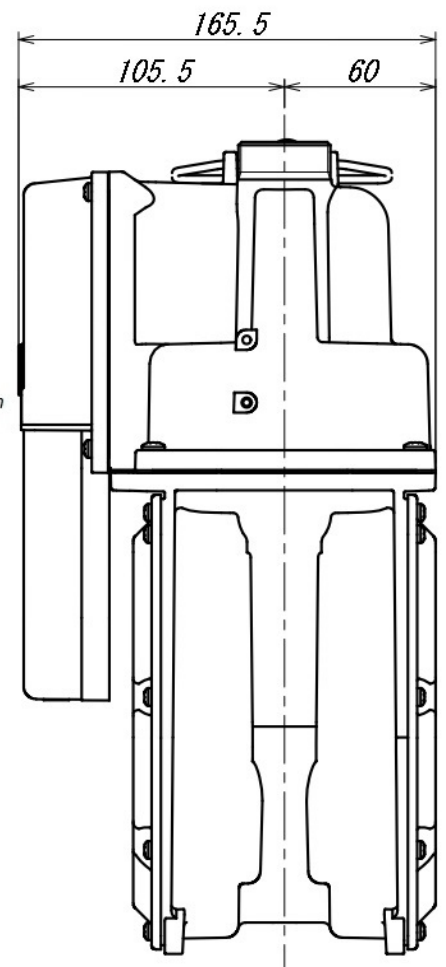
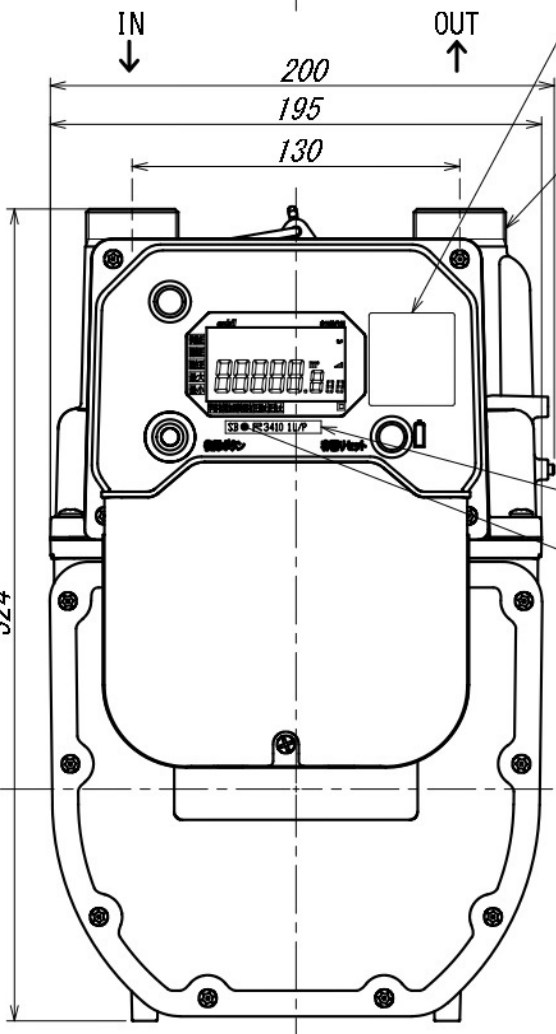
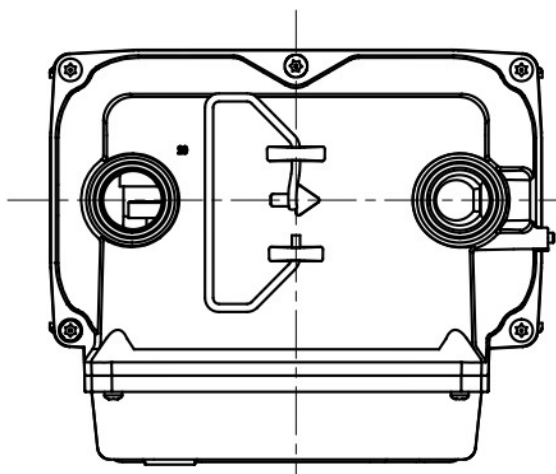


1		2		3		4		
Pulse Specifications				Microcomputer meter for business use				
				Designation		SBK6A	SBK6B	SBK6S
				Qmax.	m^3/h	6		
				Pmax.	kPa	10		
				Max. indicating Vol.	m^3	9999		
				Min. indicating Vol.	L	0.2		
				Cyclic volume	$L/rev.$	1.74		
				Connection pipe	20A			
				Connection screw	M34 × 1.5	M36.3 11.5	M36 × 2	
				Weight	kg	4.0		



			MATERIAL		REMARK	
			PROJECTION		SCALE	
MARK					NAME	
COUNT					OUTLINE VIEW AND SPECIFICATION	
DATE			REVISION		DRAWING No.	
APPROVED			CHECKED		DRAWN	
Ishiseki			t.suzuki		Shimizu	
DATE			DATE		Azbil Kimmon	
2021.1.28			2021.1.28		Co.,Ltd. JAPAN	
					DRAWING No.	
					Z-SBK6-A100A	