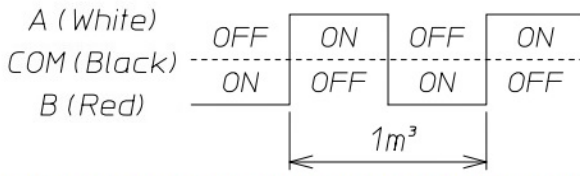


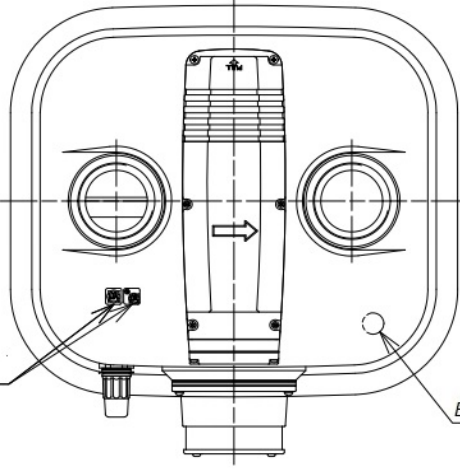
Pulse Specification



When using 2 wires, connect the black and red cords on the transmitter side to the counter on the receiver side

Gas meter with built-in shut-off valve and pulse transmitter

|                      |                      |                                  |
|----------------------|----------------------|----------------------------------|
| Type                 |                      | DM-KL25                          |
| Q <sub>max</sub>     | m <sup>3</sup> /h    | 25                               |
| P <sub>max</sub>     | kPa                  | 3.5                              |
| Max. indicating Vol. | m <sup>3</sup>       | 99999                            |
| Min. indicating Vol. | L                    | 2                                |
| Cyclic volume        | L/rev.               | 9                                |
| Connection screw     | Connection pipe 40A  | M64x2                            |
|                      | Connection pipe 50A  | M72x3                            |
| Weight               | kg                   | 24                               |
| Transmitter          | Output form          | Voltage free contact             |
|                      | Contact capacity     | W 10                             |
|                      | Max. Contact voltage | V DC 100                         |
|                      | Max. Contact current | A DC 0.5                         |
|                      | Contact resistance   | mΩ 500 or less                   |
|                      | Cable length         | m 1.5 (0.5mm <sup>2</sup> /Core) |



LIA Pass Certificate  
(2 copies)

Example of seal position

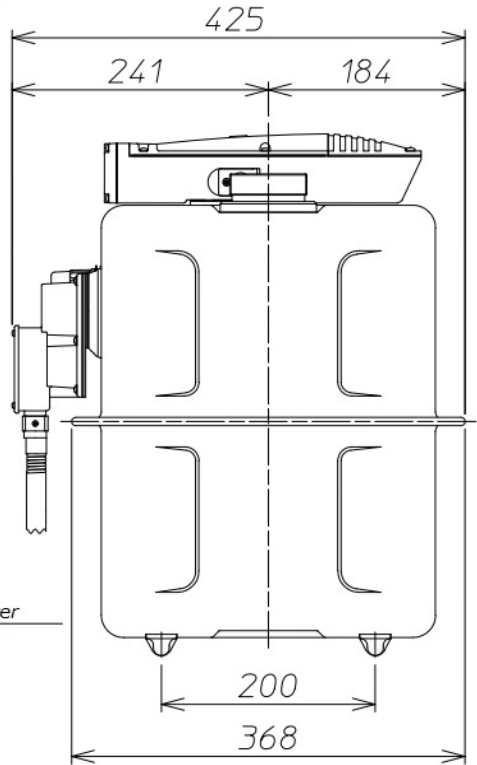
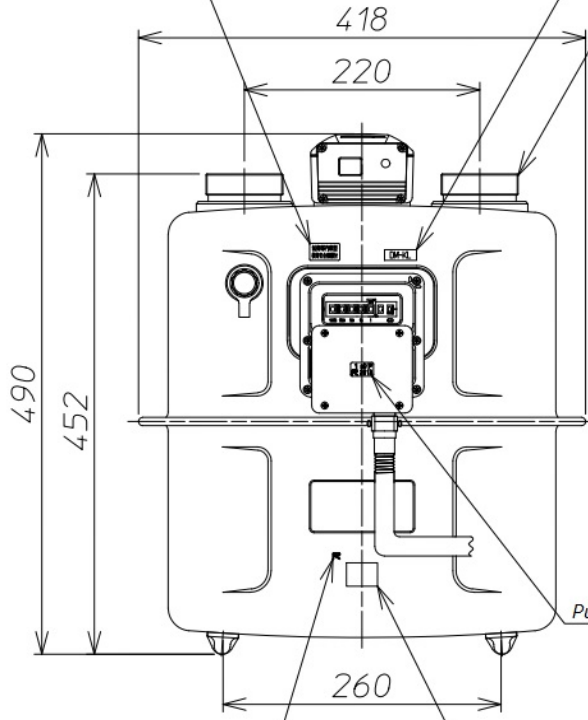
Seals with built-in control unit and restart safety mechanism

IN ↓

OUT ↑

Model number

Connection screw



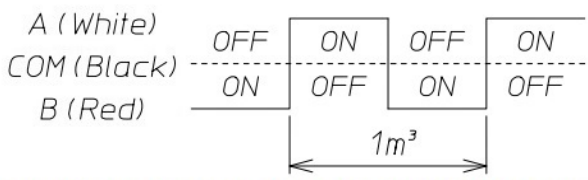
Pulse rate sticker

Example of rated signal position

Example of controller slot No. sealing position

|          |          |        |          |                             |                                |
|----------|----------|--------|----------|-----------------------------|--------------------------------|
| ③        |          |        |          | MATERIAL                    | REMARK                         |
| ②        |          |        |          | PROJECTION                  | SCALE                          |
| ①        |          |        |          | SCALE                       | NAME                           |
| MARK     | COUNT    | DATE   | REVISION | 1:5/2                       | OUTLINE VIEW AND SPECIFICATION |
| APPROVED | CHECKED  | DRAWN  | DATE     | Azbil Kimmon Co.,Ltd. JAPAN | DRAWING No.                    |
| Ishiseki | t.suzuki | Naitou | 2022.3.1 |                             | Z-DMKL25-A000C                 |

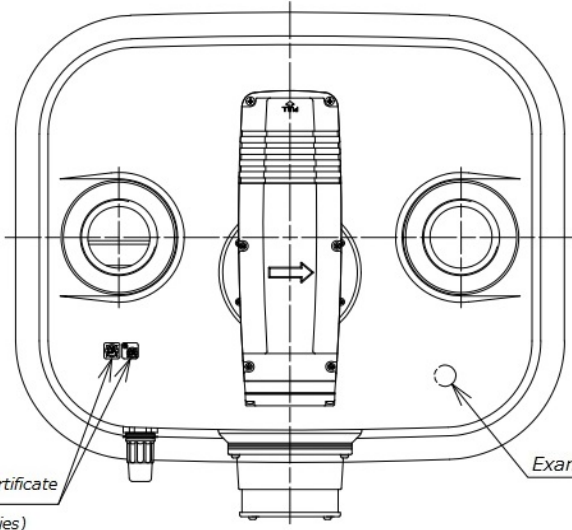
Pulse Specification



When using 2 wires, connect the black and red cords on the transmitter side to the counter on the receiver side

Gas meter with built-in shut-off valve and pulse transmitter

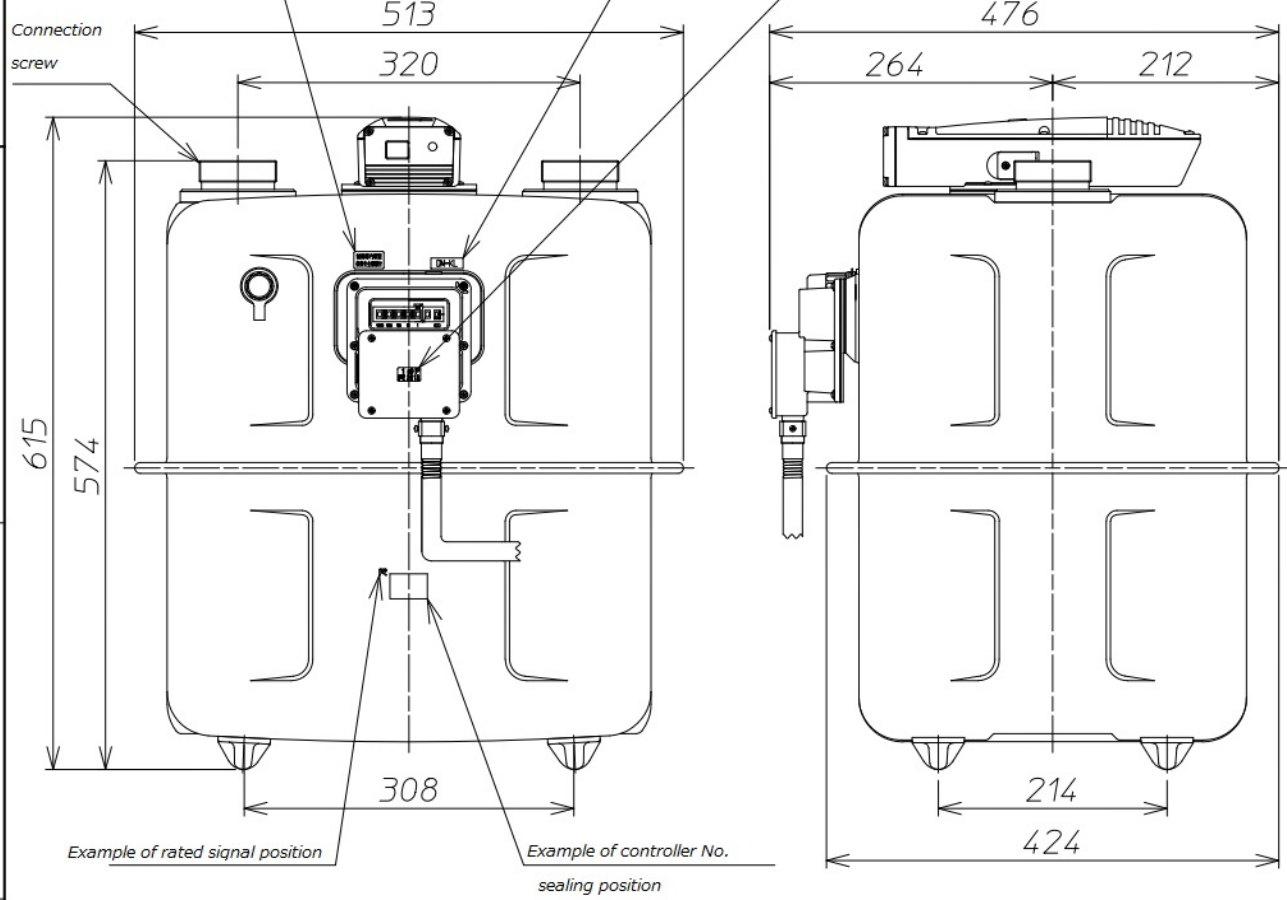
|                      |                      |                      |
|----------------------|----------------------|----------------------|
| Type                 |                      | DM-KL40              |
| Qmax.                | m³/h                 | 40                   |
| Pmax.                | kPa                  | 3.5                  |
| Max. indicating Vol. | m³                   | 999999               |
| Min. indicating Vol. | L                    | 20                   |
| Cyclic volume        | L/rev.               | 20                   |
| Connection screw     | Connection pipe      | M72x3                |
|                      | 50A                  | M72x2                |
| Weight               | kg                   | 41                   |
| Transmitter          | Output form          | Voltage free contact |
|                      | Contact capacity     | W 10                 |
|                      | Max. Contact voltage | V DC 100             |
|                      | Max. Contact current | A DC 0.5             |
|                      | Contact resistance   | mΩ 500 or less       |
|                      | Cable length         | m 1.5(0.5mm²/Core)   |



LIA Pass Certificate  
(2 copies)

Example of seal position

IN ↓ Seals with built-in control unit and restart safety mechanism      OUT ↑ Model number      Pulse rate sticker



|          |          |        |          |                |                                |
|----------|----------|--------|----------|----------------|--------------------------------|
| ③        |          |        |          | MATERIAL       | REMARK                         |
| ②        |          |        |          | PROJECTION     | SCALE                          |
| ①        |          |        |          | SCALE          | NAME                           |
| MARK     | COUNT    | DATE   | REVISION | 1:5/2          | OUTLINE VIEW AND SPECIFICATION |
| APPROVED | CHECKED  | DRAWN  | DATE     | Azbil Kimmon   | DRAWING No.                    |
| Ishiseki | t.suzuki | Naitou | 2022.3.1 | Co.,Ltd. JAPAN | Z-DMKL25-A000C                 |