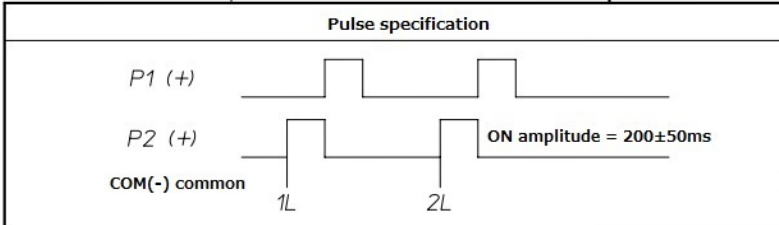
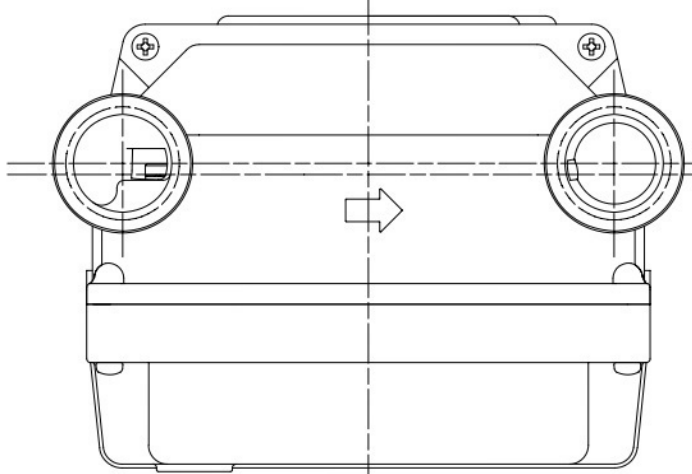


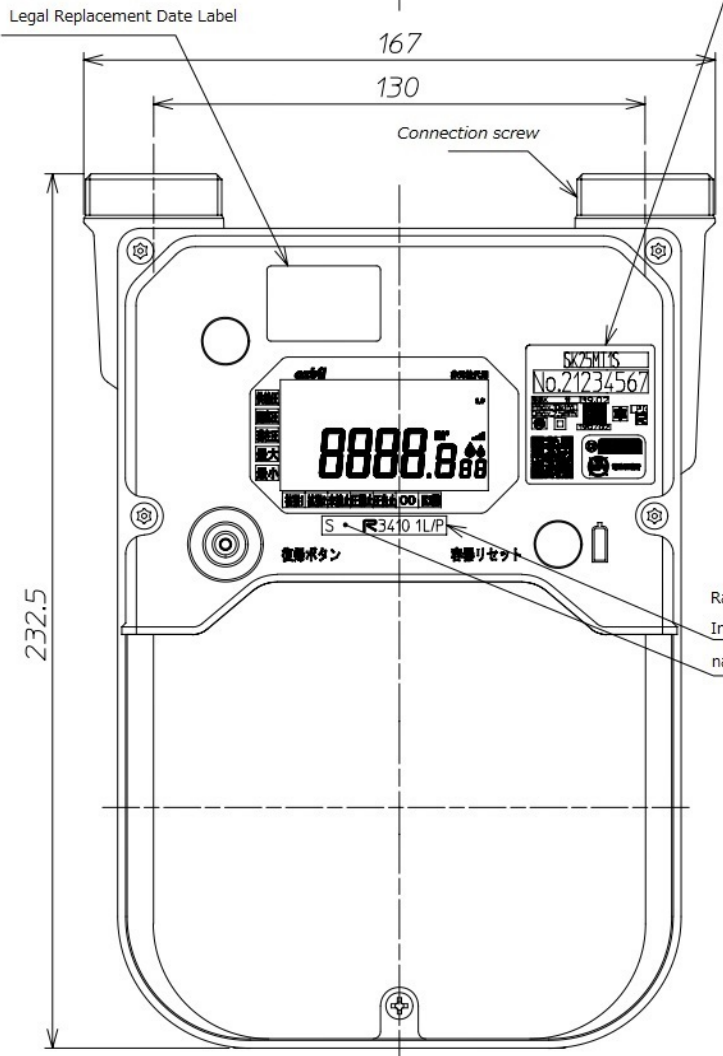
1 | 2 | 3 | 4



microcomputer meter		
Type	SK25MT1SBL	
Qmax.	m ³ /h	2.5
Pnom.	kPa	2.8±0.5
Pmax.	kPa	10
Max. indicating Vol.	m ³	9999
Min. indicating Vol.	L	0.2
Cyclic volume	L/rev.	0.5
Connection pipe	15A/20A	
Connection screw	M36x2	
Weight	kg	2.0

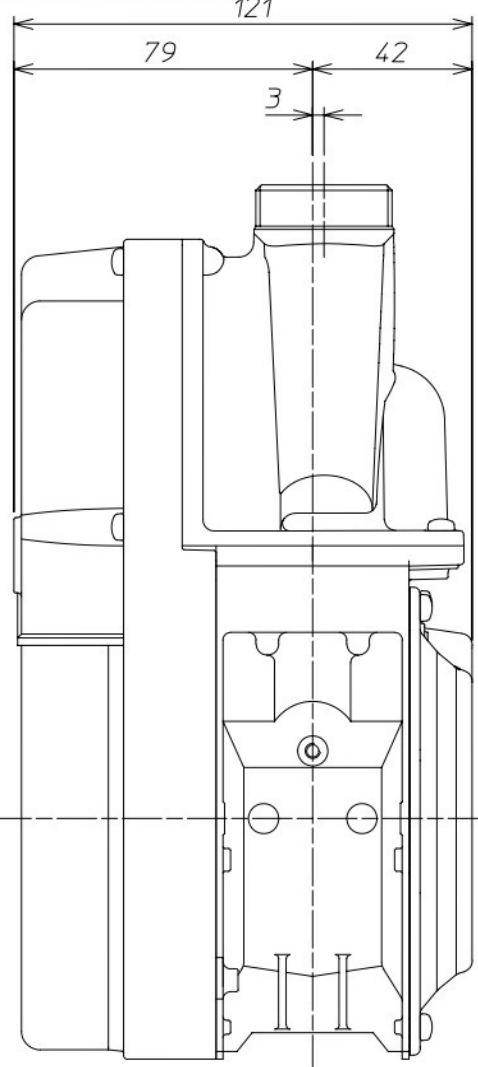


Specification Classification	name badge
standard specification	007
Simplified gas specification	008
Housing complex specifications	009
Agricultural A Specification	037



Producer's mark (example)

LIA No. 2 inspection certificate attached



③				MATERIAL	REMARK
②					
①				PROJECTION	SCALE
MARK	COUNT	DATE	REVISION	⊕	1:4
APPROVED	CHECKED	DRAWN	DATE	Azbil Kimmon	DRAWING No.
Ishiseki	t.suzuki	Shimizu	2014.16	Co.,Ltd. JAPAN	Z-KSMA25-A110A

1 | 4