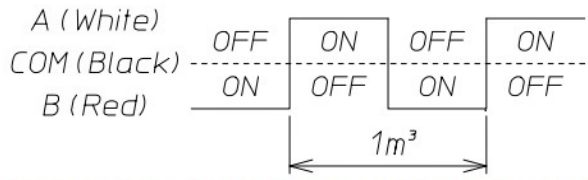


1 | 2 | 3 | 4

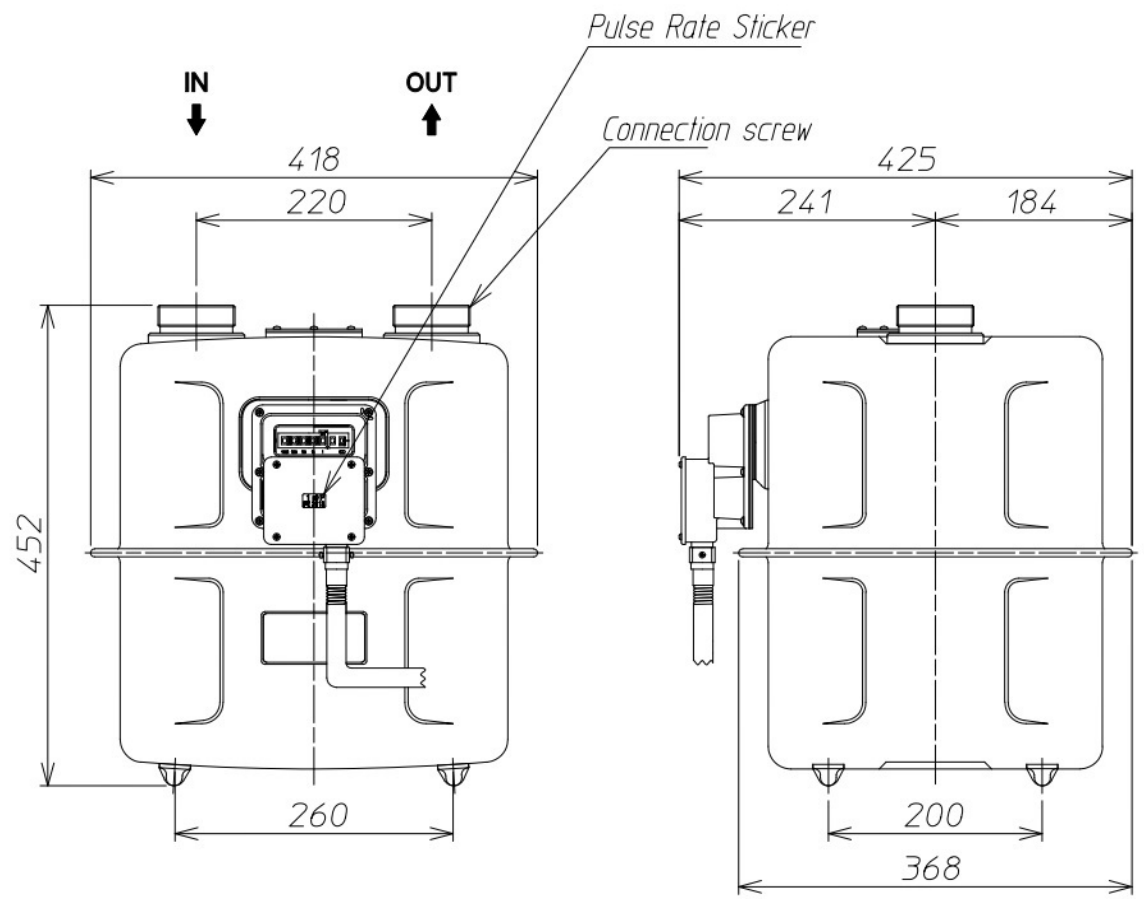
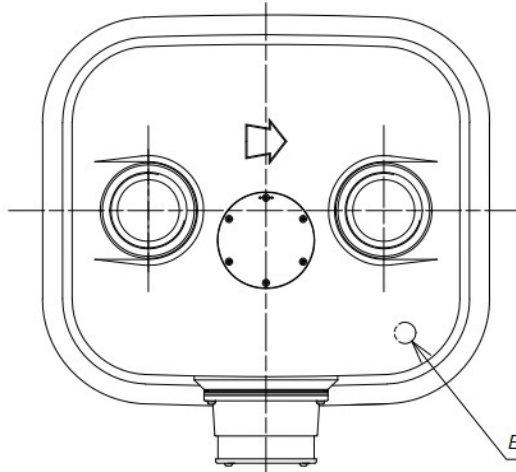
Pulse Specification



When using 2 wires, connect the black and red cords on the transmitter side to the counter on the receiver side

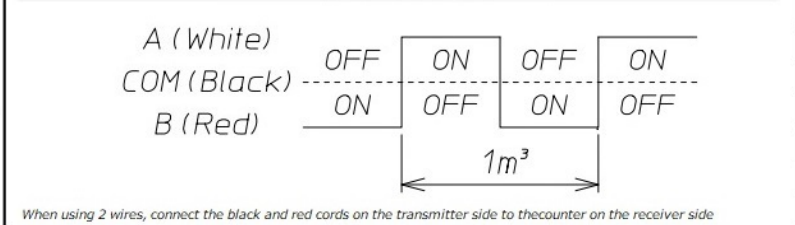
Pulse generating gas meter

Type		DM-NL25
Q _{max.}	m ³ /h	25
P _{max.}	kPa	3.5
Max. indicating Vol.	m ³	99999
Min. indicating Vol.	L	2
Cyclic volume	L/rev.	9
Connection screw	40A	M64x2
	50A	M72x3 W76.2 Pish11
Weight	kg	22
Transmitter	Output form	Voltage free contact
	Contact capacity	W 10
	Max. Contact voltage	V DC 100
	Max. Contact current	A DC 0.5
	Contact resistance	mΩ 500 or Less
	Cable length	m 1.5(0.5mm ² /Core)



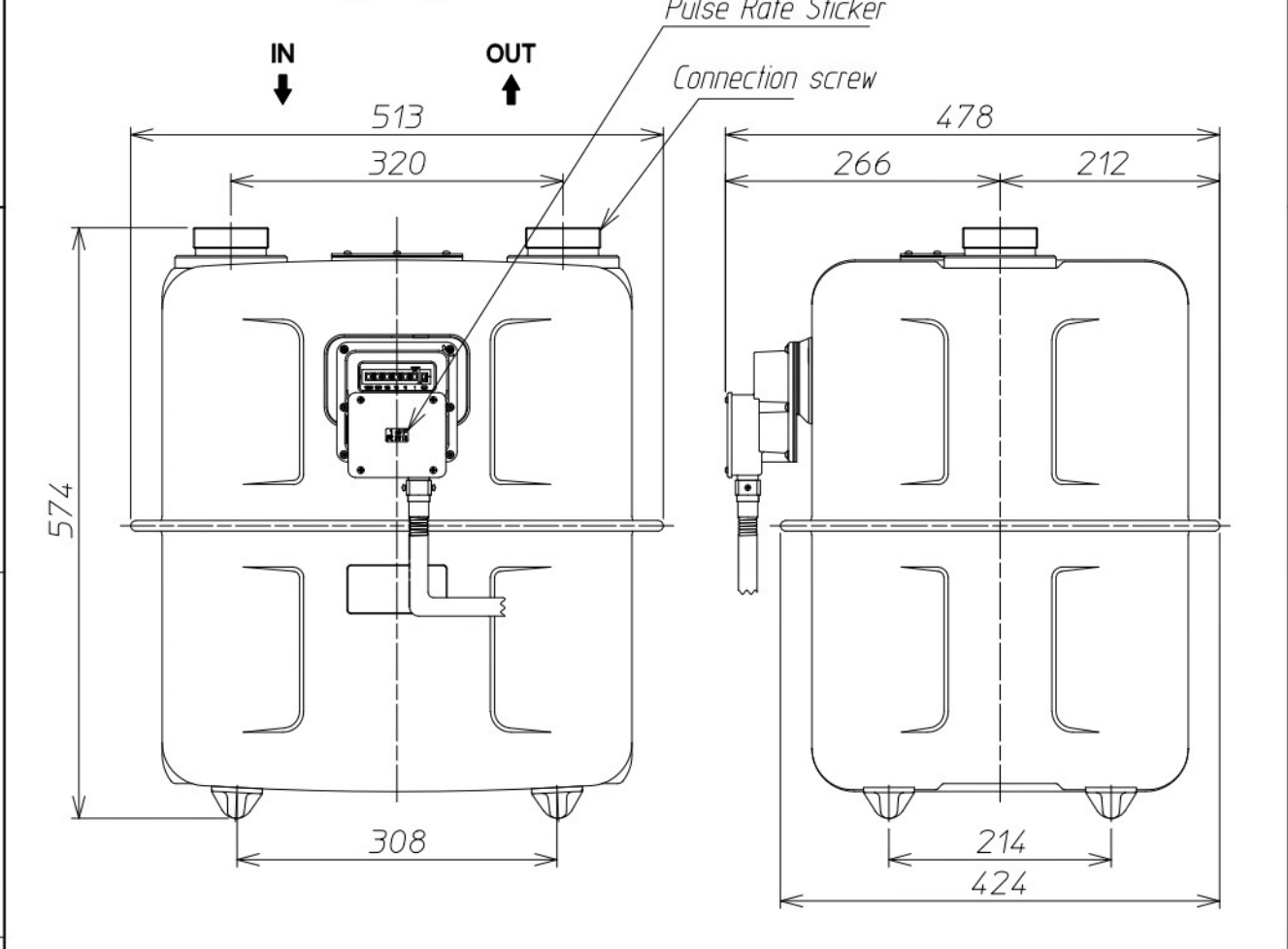
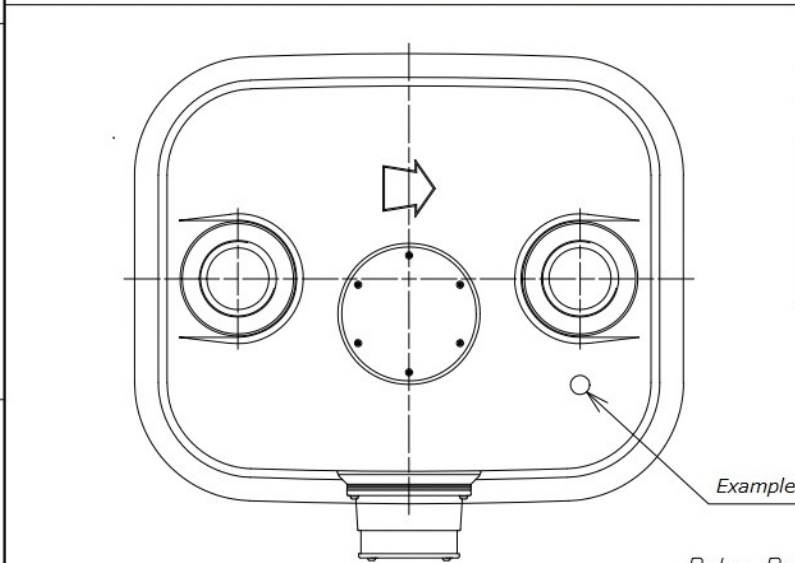
③				MATERIAL	REMARK
②				PROJECTION	SCALE
①				SCALE	NAME
MARK	COUNT	DATE	REVISION	1:5√2	OUTLINE VIEW AND SPECIFICATION
APPROVED	CHECKED	DRAWN	DATE	Azbil Kimmon	DRAWING No.
j.ishizeki	t.suzuki	Naitou	2022.3.1	Co.,Ltd. JAPAN	Z-DMNL25-A000C

1 | 2 | 3 | 4



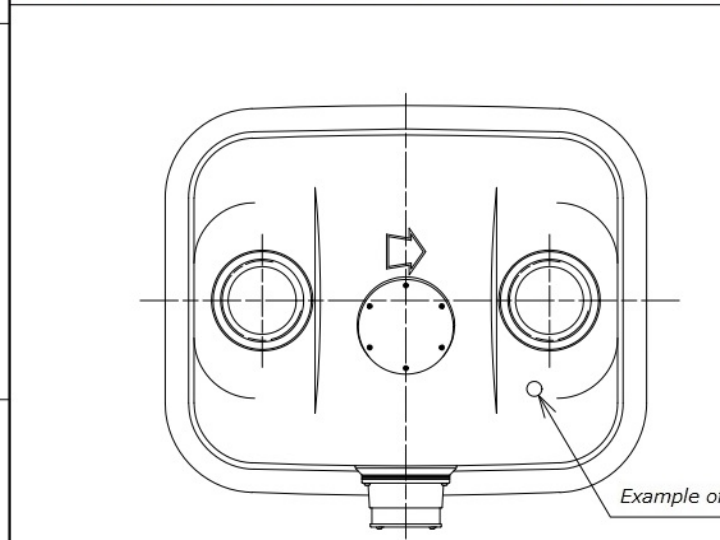
Pulse generating gas meter

Type		DM-NL40	
Qmax.	m³/h	40	
Pmax.	kPa	3.5	
Max. indicating Vol.	m³	999999	
Min. indicating Vol.	L	20	
Cyclic volume	L/rev.	20	
Connection screw	Connection pipe 50A	M72x3	
		W76.2 Pish11	
		M72x2	
Weight	kg	35	
Transmitter	Output form	Voltage free contact	
	Contact capacity	W	10
	Max. Contact voltage	V	DC 100
	Max. Contact current	A	DC 0.5
	Contact resistance	mΩ	500 Or Less
	Cable length	m	1.5(0.5mm²/Core)

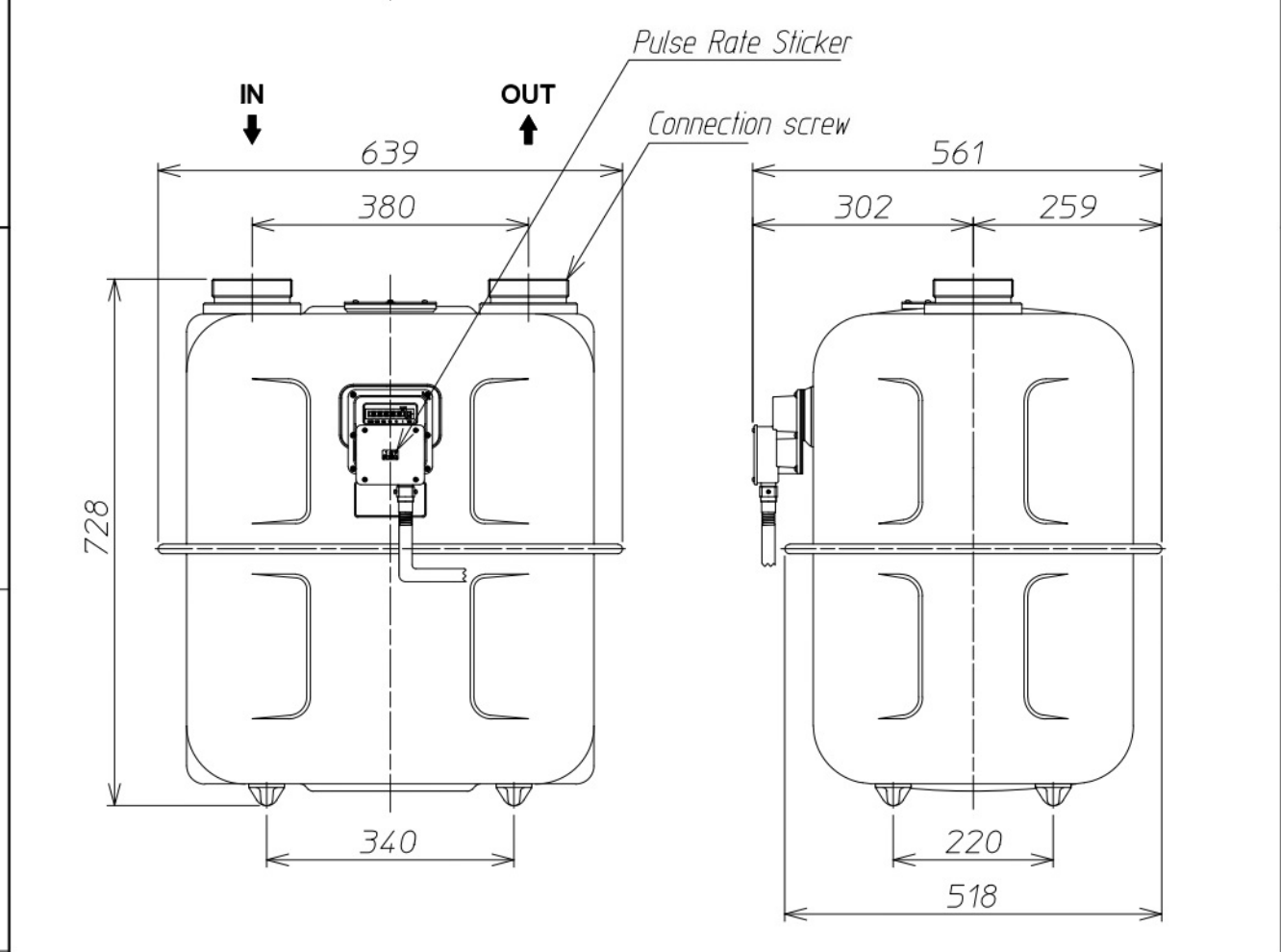


<table border="1"> <tr> <td>3</td> <td></td> <td></td> </tr> <tr> <td>2</td> <td></td> <td></td> </tr> <tr> <td>1</td> <td></td> <td></td> </tr> </table>			3			2			1			MATERIAL	REMARK
3													
2													
1													
<table border="1"> <tr> <td>MARK</td> <td>COUNT</td> <td>DATE</td> <td>REVISION</td> </tr> </table>			MARK	COUNT	DATE	REVISION	PROJECTION	SCALE					
MARK	COUNT	DATE	REVISION										
				1:5√2									
APPROVED	CHECKED	DRAWN	DATE	NAME									
<i>j.ishizeki</i>	<i>t.suzuki</i>	<i>Naitou</i>	2022.3.1	Azbil Kimmon Co.,Ltd. JAPAN									
				DRAWING No.									
				Z-DMNL25-A000B									

1		2		3		4			
Pulse Specification				Pulse generating gas meter					
A	A (White)	OFF	ON	OFF	ON	Type	DM -NL65	DM -NL100	
	COM (Black)	ON	OFF	ON	OFF	Qmax.	m ³ /h	65	100
	B (Red)					Pmax.	kPa	3.5	
	1m ³				Max. indicating Vol.	m ³	999999		
					Min. indicating Vol.	L	20		
					Cyclic volume	L/rev.	40		
When using 2 wires, connect the black and red cords on the transmitter side to the counter on the receiver side									



B	Connection screw	Connection pipe	M110×4	
	Weight	kg	66	
	Transmitter	Output form	Voltage free contact	
		Contact capacity	W	10
		Max. Contact voltage	V	DC 100
		Max. Contact current	A	DC 0.5
		Contact resistance	mΩ	500 Or Less
		Cable length	m	1.5(0.5mm ² /Core)



3				MATERIAL	REMARK
2				PROJECTION	SCALE
1				SCALE	NAME
MARK	COUNT	DATE	REVISION	1:10	OUTLINE VIEW AND SPECIFICATION
APPROVED	CHECKED	DRAWN	DATE	Azbil Kimmon	DRAWING No.
j.ishizeki	t.suzuki	Naitou	2022.3.1	Co.,Ltd. JAPAN	Z-DMNL100-A000B