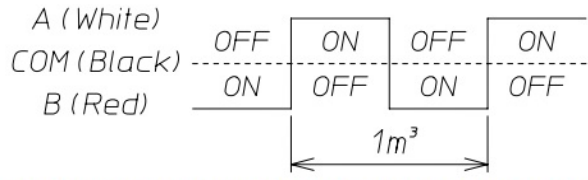


1 | 2 | 3 | 4

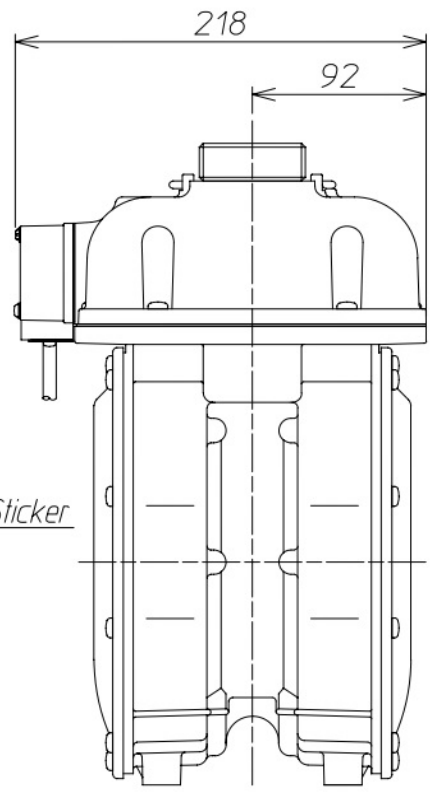
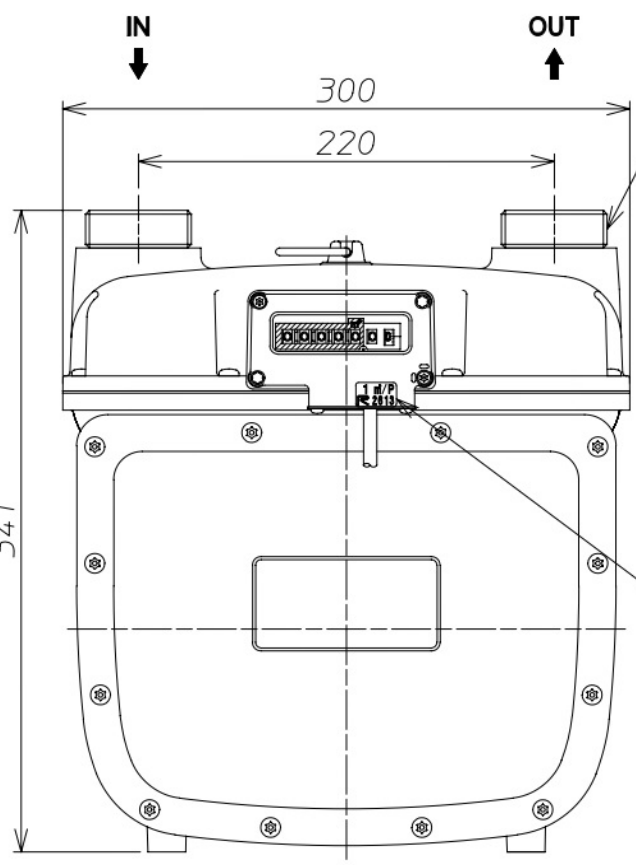
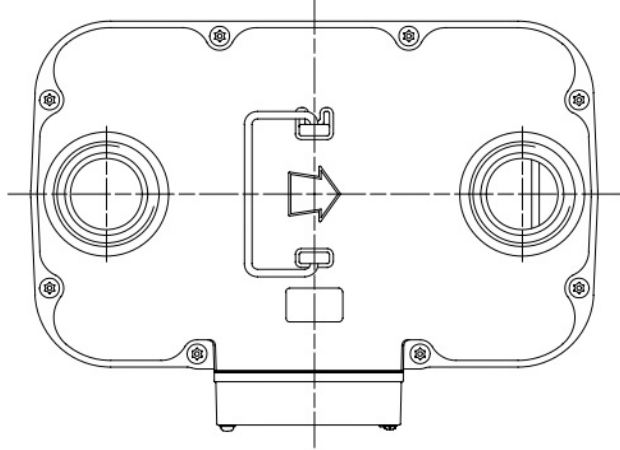
Pulse Specification



When using 2 wires, connect the black and red cords on the transmitter side to the counter on the receiver side.

Pulse generating gas meter

Type		NDS -NL 10	NDS -NL 16
Qmax.	m³/h	10	16
Pmax.	kPa	3.5	
Max. indicating Vol.	m³	99999	
Min. indicating Vol.	L	2	
Cyclic volume	L/rev.	4	
Connection size		32A	40A
Connection screw		M56x2	M64x2
Weight	kg	9	
Transmitter	Output form	Voltage free contact	
	Contact capacity	W	2.4
	Max. Contact voltage	V	DC 24
	Max. Contact current	A	DC 0.1
	Contact resistance	mΩ	100 or less
	Cable length	m	1.5 (0.5mm²/Core)



3				MATERIAL	REMARK
2					
1				PROJECTION	SCALE
MARK	COUNT	DATE	REVISION		1:4
APPROVED	CHECKED	DRAWN	DATE	Azbil Kimmon	DRAWING No.
j.ishizeki	t.suzuki	y.shimizu	3.Mar.,2014	Co.,Ltd. JAPAN	Z-NDSNL10-A230A

1 | 4