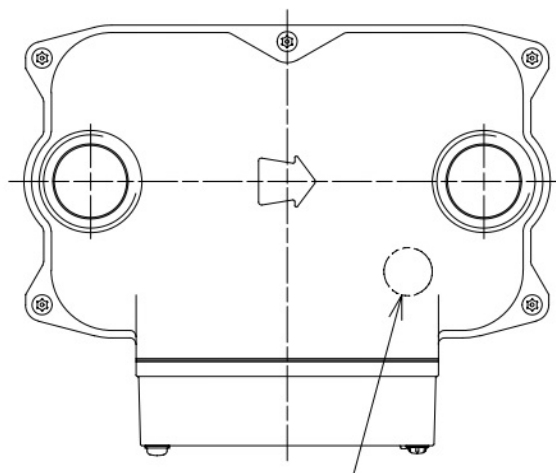
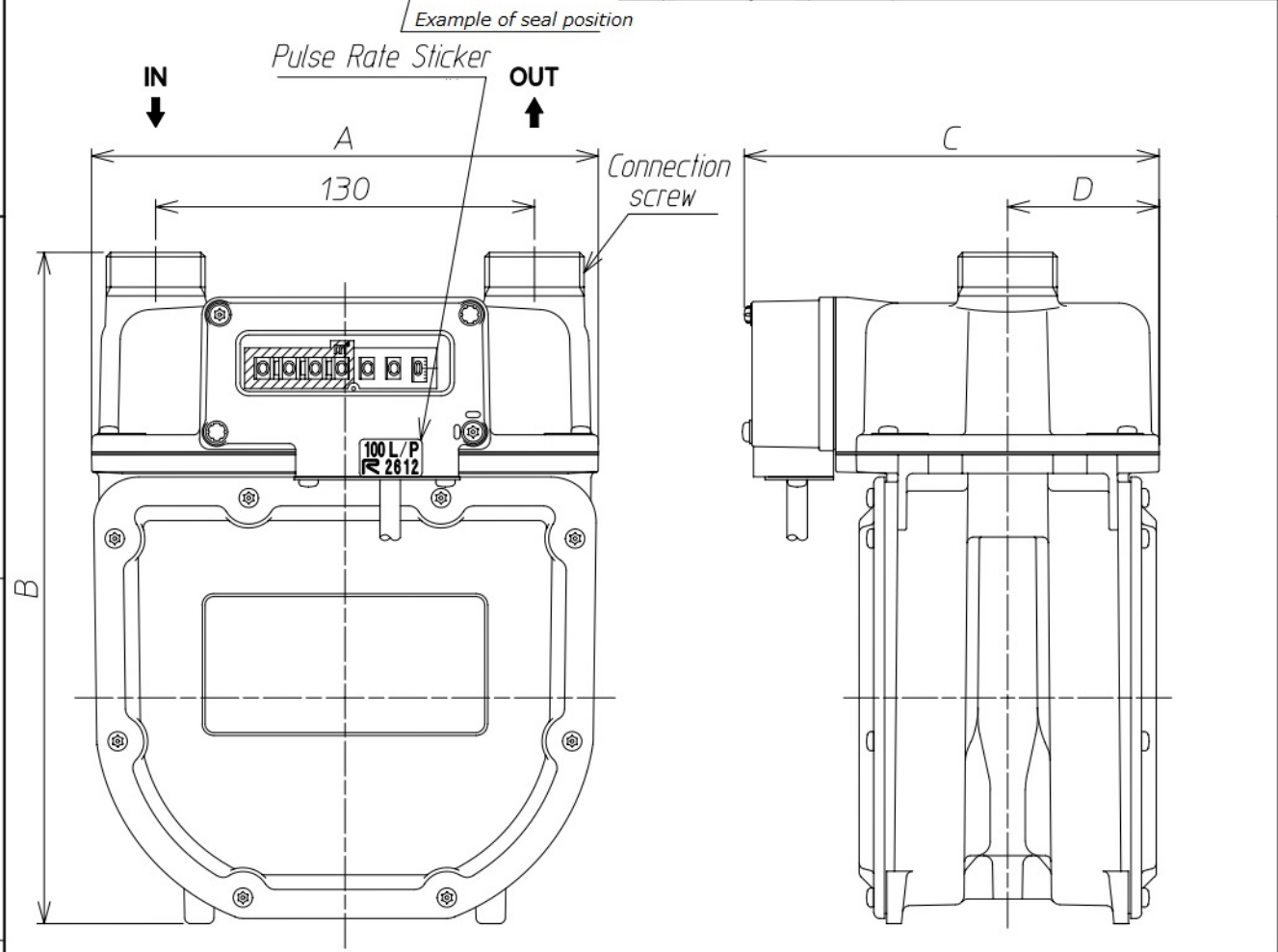


1		2		3		4					
Pulse Specification				Pulse generating gas meter							
A (White)	OFF	ON	OFF	ON	Type	NDS -NL1	NDS -NL1.6	NDS -NL2.5	NDS -NL4	NDS -NL6	
COM (Black)	ON	OFF	ON	OFF	Q_{max}	m^3/h	1	1.6	2.5	4	6
B (Red)	ON	OFF	ON	OFF	P_{max}	kPa	3.5				
100L				Max. indicating Vol.	m^3	9999					
When using 2 wires, connect the black and red cords on the transmitter side to the counter on the receiver side.				Min. indicating Vol.	L	0.2					
				Connection screw	Connection Pipe	M34x1.5					
				20A	W36.3 Pich11.5						
					W36.9 Pich11						
				Connection pipe	W28.8 Pich12						
				15A	—						
				Weight	kg	2.2	2.7	3.5			
				Dimensions	A	mm	174	174	195		
					B	mm	212	232	262		
					C	mm	138	143	161		
					D	mm	48	52	60		
Transmitter	Output form	Voltage free contact									
	Contact capacity	W	2.4								
	Max. Contact voltage	V	DC 24								
	Max. Contact current	A	DC 0.1								
	Contact resistance	$m\Omega$	100以下								
Cable length	m	1.5 (0.5mm ϕ 心)									



3				MATERIAL	REMARK
2				PROJECTION	SCALE
1				NAME	OUTLINE VIEW AND SPECIFICATION
MARK	COUNT	DATE	REVISION	DRAWING No.	
APPROVED	CHECKED	DRAWN	DATE	DRAWING No.	
Imamoto	t.suzuki	Kawada	2012.4.1	Z-NL01-A300B	
Azbil Kimmon Co.,Ltd. JAPAN					