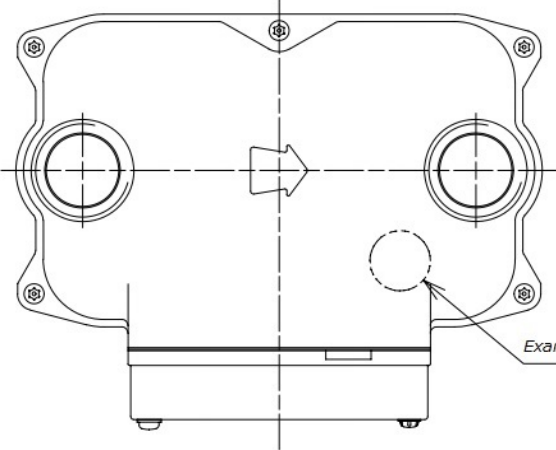
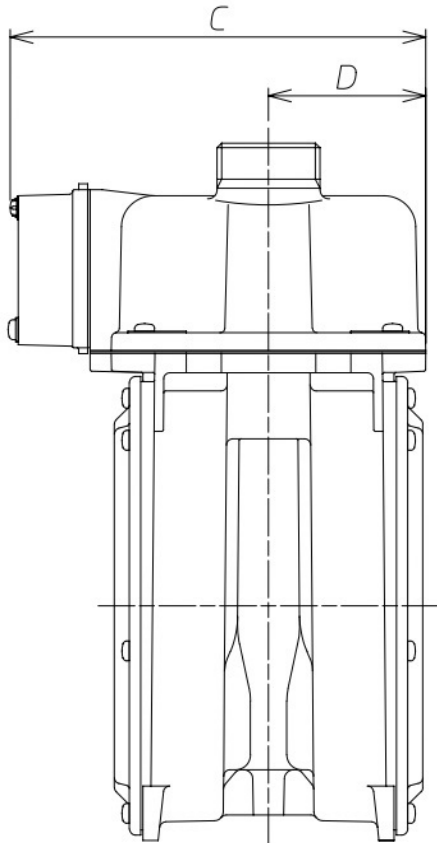
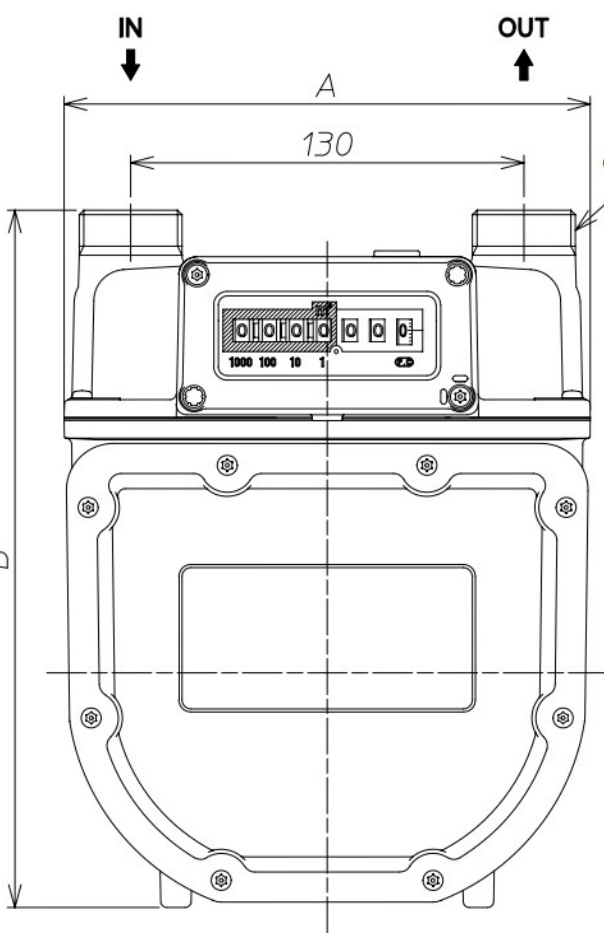


1 | 2 | 3 | 4

A
B
C
D
E
F



		Gas Meter				
Type		NL1	NL1.6	NL2.5	NL4	NL6
Qmax.	m ³ /h	1	1.6	2.5	4	6
Pmax.	kPa	3.5				
Max. indicating Vol.	m ³	9999				
Min. indicating Vol.	L	0.2				
Cyclic volume	L/rev.	0.6	0.9	1.7		
Connection screw	Connection Size	M34x1.5				
	20A	W36.3 Pich11.5				
		—		W36.9 Pich11		
Connection Size	15A	W28.8 Pich12			—	
Weight	kg	2.2	2.7	3.5		
Dimensions	A	mm	174	174	195	
	B	mm	212	232	262	
	C	mm	133	138	156	
	D	mm	48	52	60	



3				MATERIAL	REMARK
2					
1				PROJECTION	SCALE
MARK	COUNT	DATE	REVISION		NAME
APPROVED	CHECKED	DRAWN	DATE	Azbil Kimmon Co.,Ltd. JAPAN	DRAWING No.
Imamoto	t.suzuki	Kawada	2012.4.1		Z-NL01-A300B

1 | 2 | 3 | 4