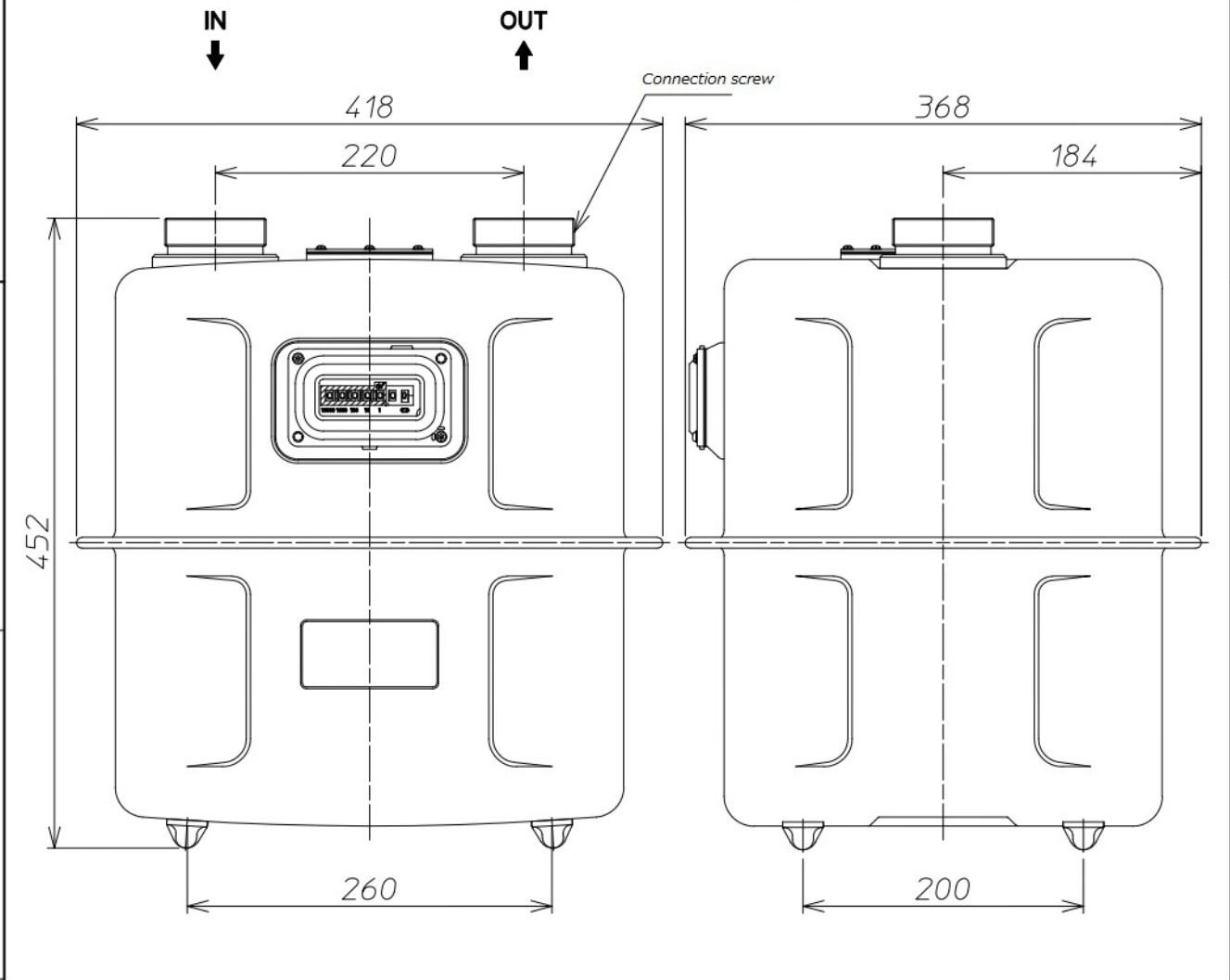


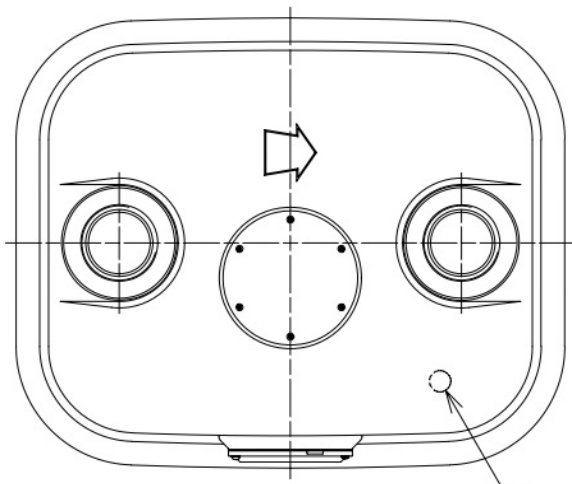
Gas Meter		
Type		NL25
Qmax.	m ³ /h	25
Pmax.	kPa	3.5
Max. indicating Vol.	m ³	99999
Min. indicating Vol.	L	2
Cyclic volume	L/rev.	9
Connection screw	Connection pipe 40A	M64x2
	Connection Pipe 50A	M72x3 W76.2 Pich 11
Weight	kg	22



<table border="1"> <tr> <td>③</td> <td>..</td> <td></td> </tr> <tr> <td>②</td> <td>..</td> <td></td> </tr> <tr> <td>①</td> <td>..</td> <td></td> </tr> <tr> <td>MARK</td> <td>COUNT</td> <td>DATE</td> </tr> </table>			③	..		②	..		①	..		MARK	COUNT	DATE	MATERIAL		REMARK
③	..																
②	..																
①	..																
MARK	COUNT	DATE															
			PROJECTION	SCALE	NAME												
				1:5	OUTLINE VIEW AND SPECIFICATION												
APPROVED	CHECKED	DRAWN	DATE	DRAWING No.													
Imamoto	t.suzuki	Shimizu	2014.5.9	Z-NL25-A300C													

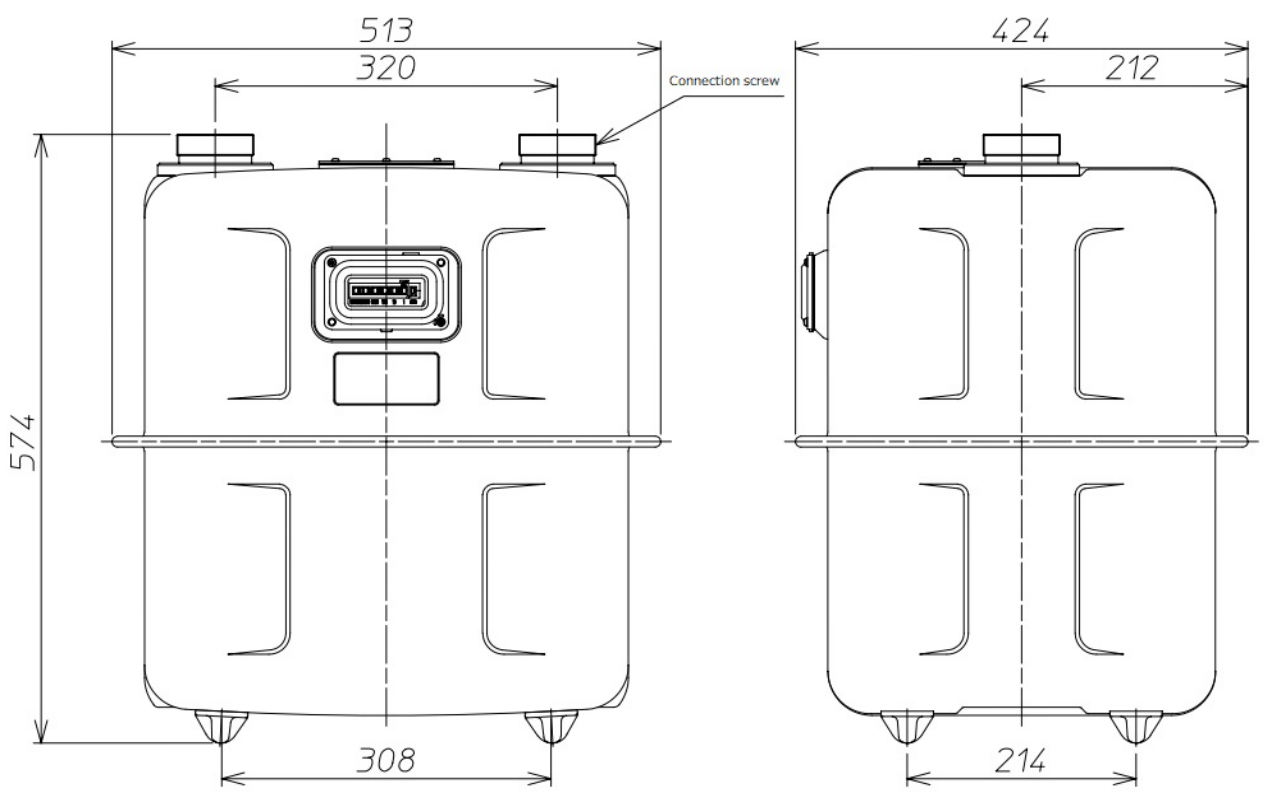
1 2 3 4

A
B
C
D
E
F



Gas Meter		
Type		NL40
Qmax.	m ³ /h	40
Pmax.	kPa	3.5
Max. indicating Vol.	m ³	999999
Min. indicating Vol.	L	20
Cyclic volume	L/rev.	20
Connection screw		50A
		M72x3
		W76.2 Pich 11
Weight		M72x2
	kg	35

IN ↓ OUT ↑



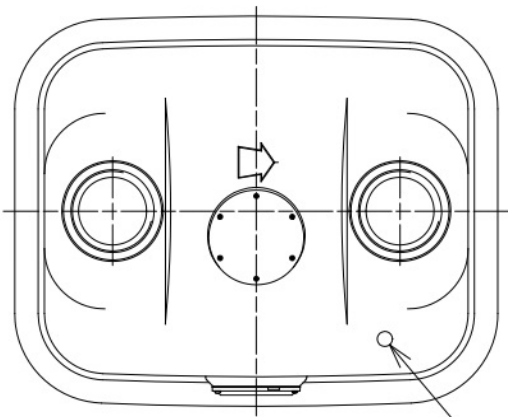
<table border="1"> <tr> <td>③</td> <td></td> <td></td> </tr> <tr> <td>②</td> <td></td> <td></td> </tr> <tr> <td>①</td> <td></td> <td></td> </tr> <tr> <td>MARK</td> <td>COUNT</td> <td>DATE</td> </tr> <tr> <td colspan="2"></td> <td>REVISION</td> </tr> </table>			③			②			①			MARK	COUNT	DATE			REVISION	MATERIAL	REMARK
③																			
②																			
①																			
MARK	COUNT	DATE																	
		REVISION																	
<table border="1"> <tr> <td>APPROVED</td> <td>CHECKED</td> <td>DRAWN</td> <td>DATE</td> </tr> <tr> <td>Imamoto</td> <td>t.suzuki</td> <td>Kawada</td> <td>2012.4.1</td> </tr> </table>			APPROVED	CHECKED	DRAWN	DATE	Imamoto	t.suzuki	Kawada	2012.4.1	PROJECTION 	SCALE 1:5√2							
APPROVED	CHECKED	DRAWN	DATE																
Imamoto	t.suzuki	Kawada	2012.4.1																
Azbil Kimmon Co.,Ltd. JAPAN				NAME OUTLINE VIEW AND SPECIFICATION															
DRAWING No. Z-NL40-A300B																			

1 4

1 2 3 4

A
B
C
D
E
F

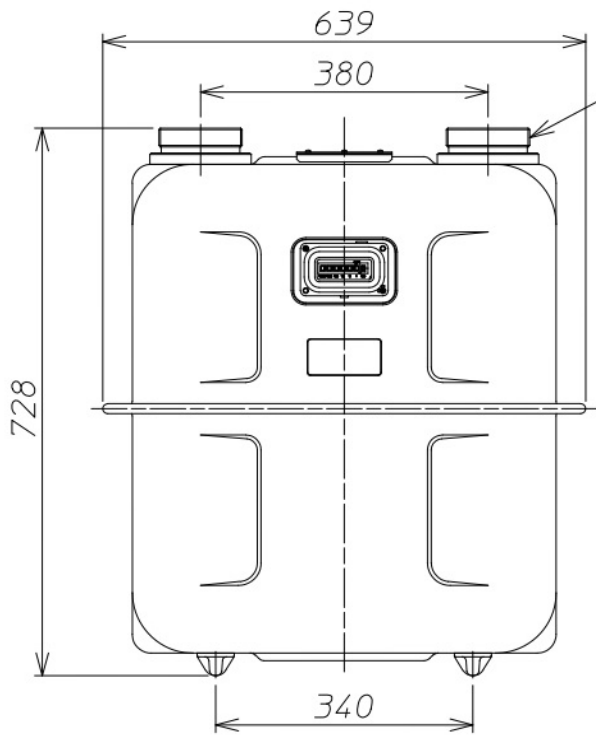
Gas Meter			
Type		NL65	NL100
<i>Q_{max.}</i>	<i>m³/h</i>	65	100
<i>P_{max.}</i>	<i>kPa</i>	3.5	
<i>Max. indicating Vol.</i>	<i>m³</i>	999999	
<i>Min. indicating Vol.</i>	<i>L</i>	20	
<i>Cyclic volume</i>	<i>L/rev.</i>	40	
<i>Connection pipe</i>		80A	
<i>Connection screw</i>		M110x4	
<i>Weight</i>	<i>kg</i>	66	



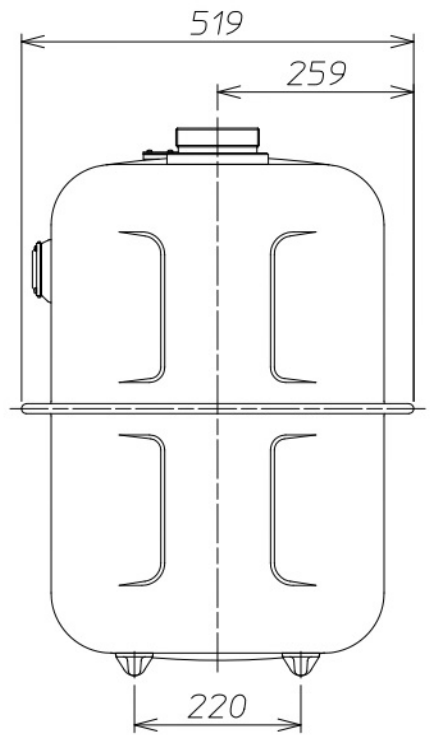
Example of seal position

IN
↓

OUT
↑



Connection screw



③				MATERIAL	REMARK
②		..		PROJECTION	SCALE
①		..		SCALE	NAME
MARK	COUNT	DATE	REVISION	1:10	OUTLINE VIEW AND SPECIFICATION
APPROVED	CHECKED	DRAWN	DATE	Azbil Kimmon	DRAWING No.
Ishiseki	t.suzuki	Shimizu	2017.6.22	Co.,Ltd. JAPAN	Z-NL100-A300C

1 4