

unit(mm)

A

B

C

D

E

F

1 2 3 4

A

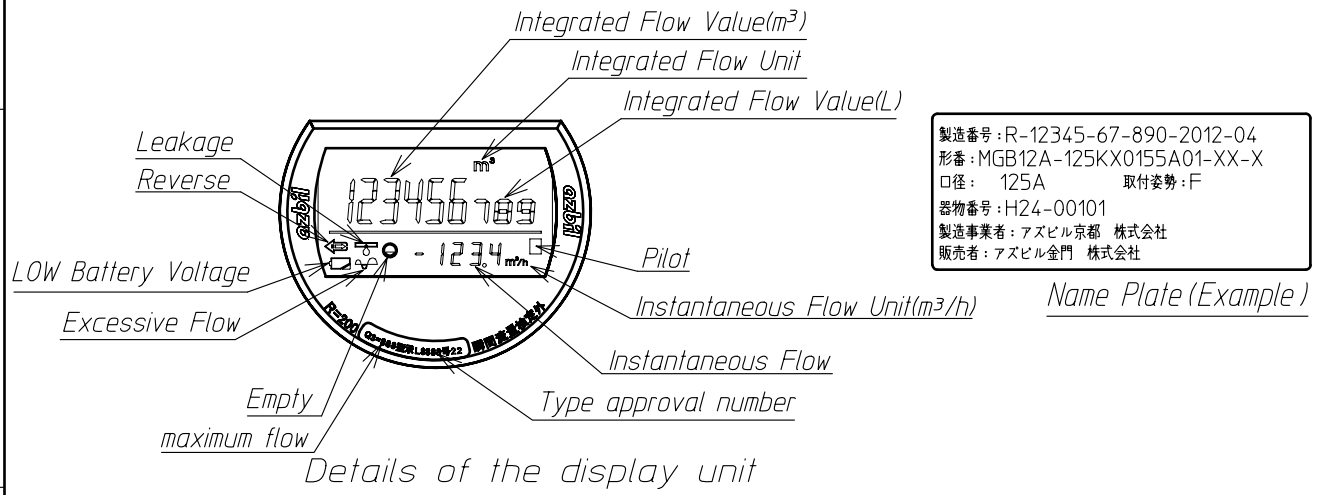
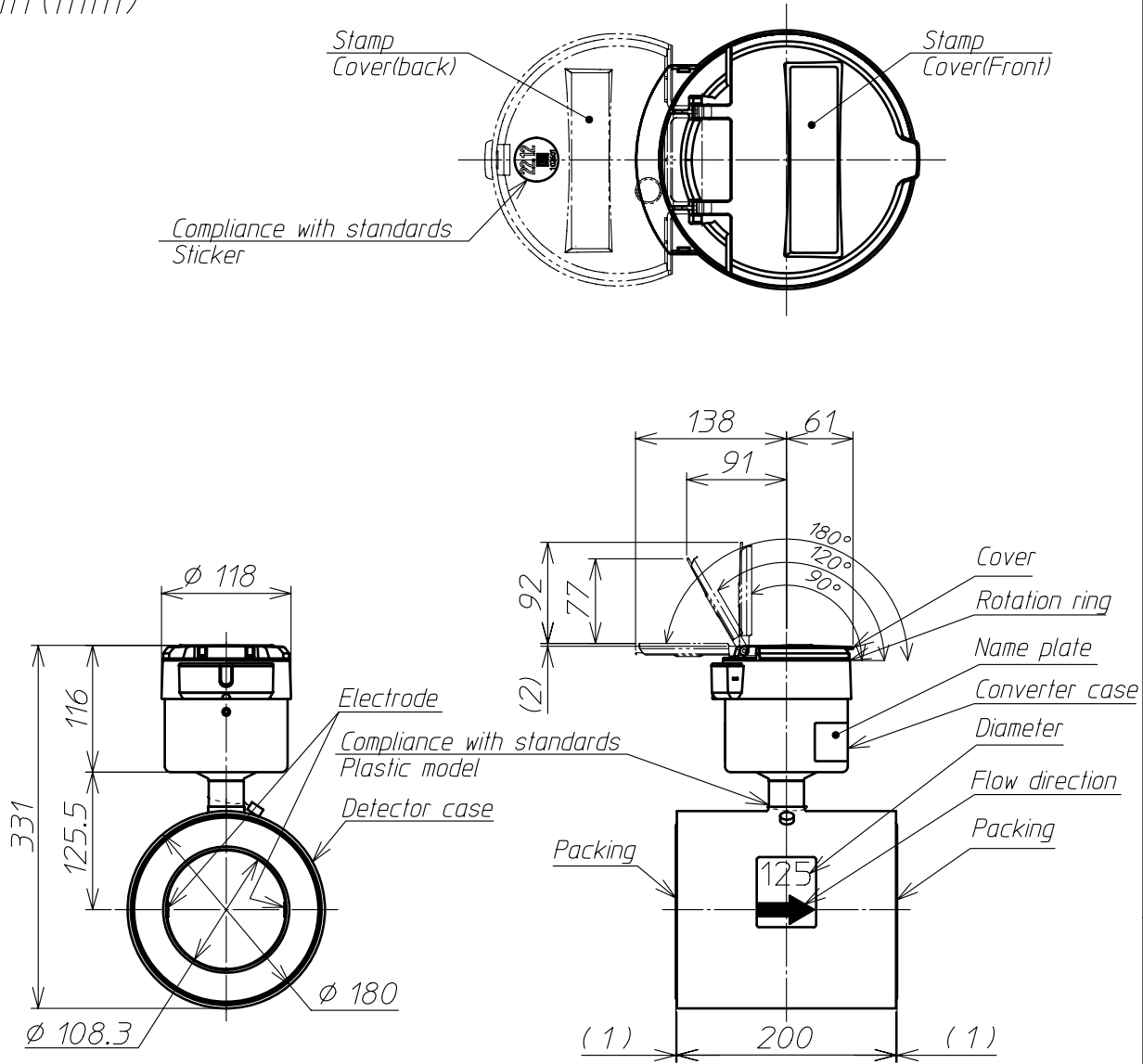
B

C

D

E

F



Details of the display unit

③				MATERIAL	REMARK
②					
①				PROJECTION	SCALE
MARK	COUNT	DATE	REVISION	Free	NAME
APPROVED	CHECKED	DRAWN	DATE	Azbil Kimmon Co.,Ltd. JAPAN	DRAWING No.
H.Ogiu	K.Fukaumi	T.Kawada	26.Feb.,2014		Y-MGB125-A900B-000A00