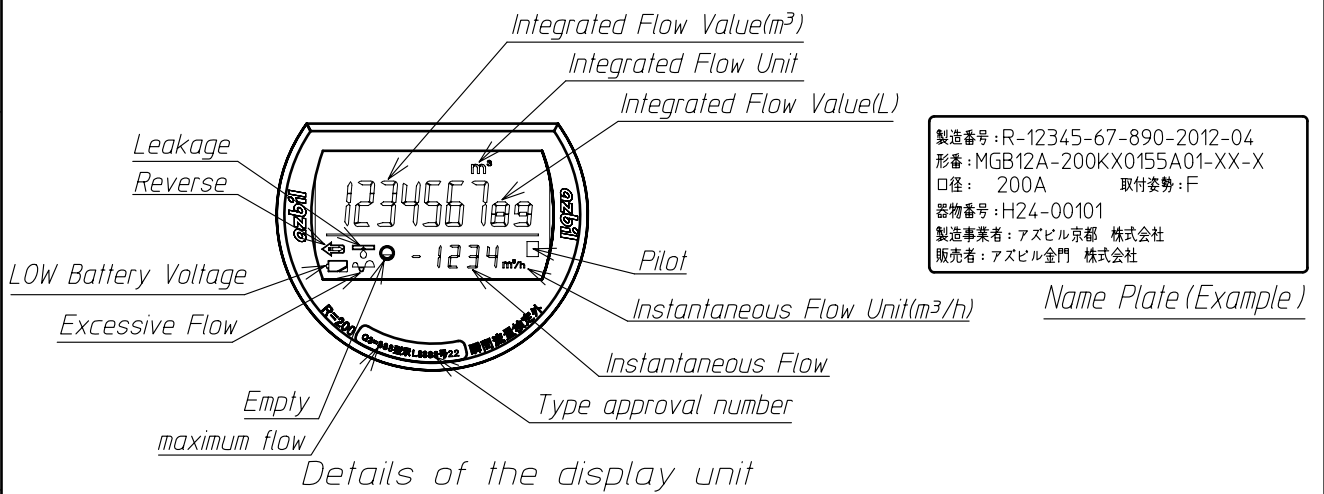
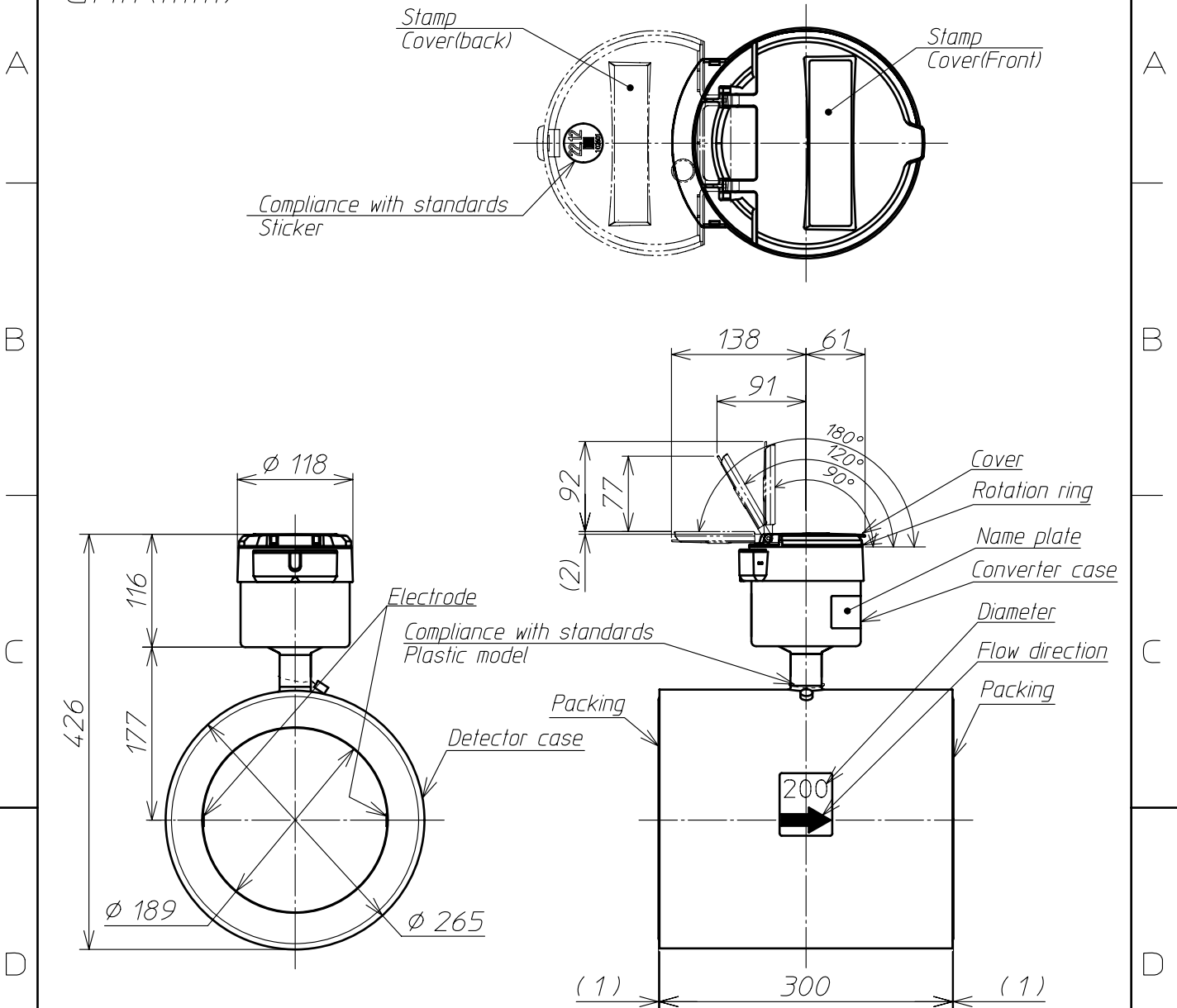


unit(mm)



Details of the display unit

③				MATERIAL	REMARK
②					
①				PROJECTION	SCALE
MARK	COUNT	DATE	REVISION		Free
APPROVED	CHECKED	DRAWN	DATE	Azbil Kimmon	DRAWING No.
H.Ogiu	K.Fukaumi	T.Kawada	26.Feb.,2014	Co.,Ltd. JAPAN	Y-MGB200-A900C-000A00