

unit(mm)

A

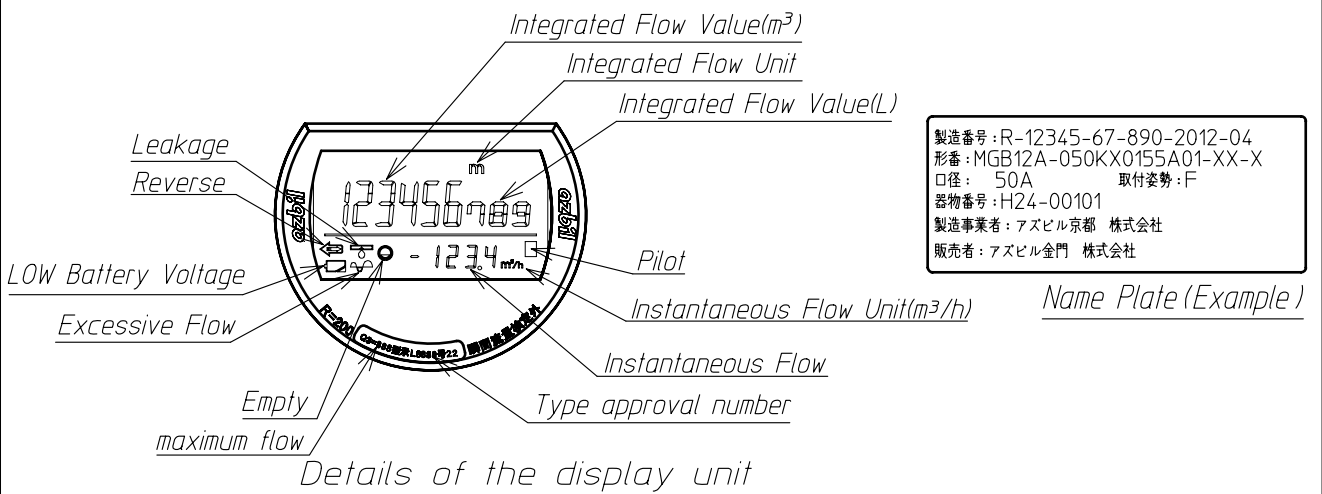
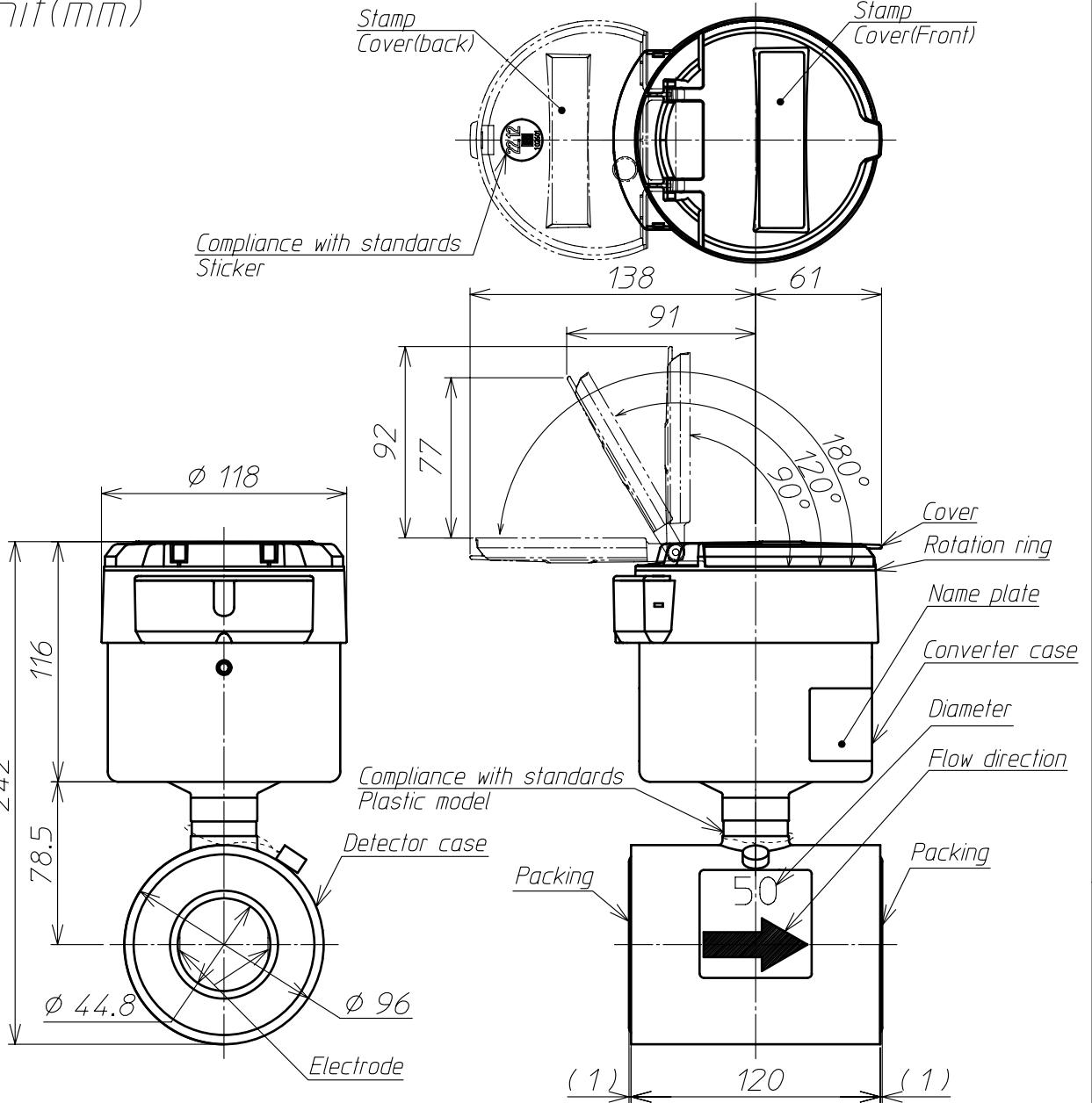
B

C

D

E

F



3				MATERIAL	REMARK
2					
1				PROJECTION	SCALE
MARK	COUNT	DATE	REVISION	Free	NAME
APPROVED	CHECKED	DRAWN	DATE	Azbil Kimmon	DRAWING No.
H.Ogiu	K.Fukaumi	T.Kawada	26.Feb.,2014	Co.,Ltd. JAPAN	Y-MGB050-A900B-000A00