

unit(mm)

A

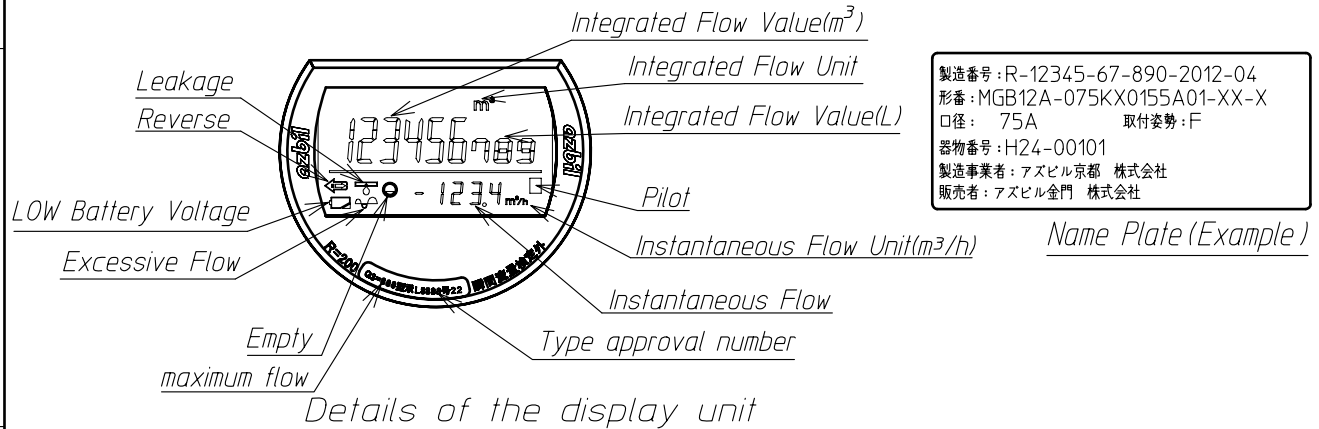
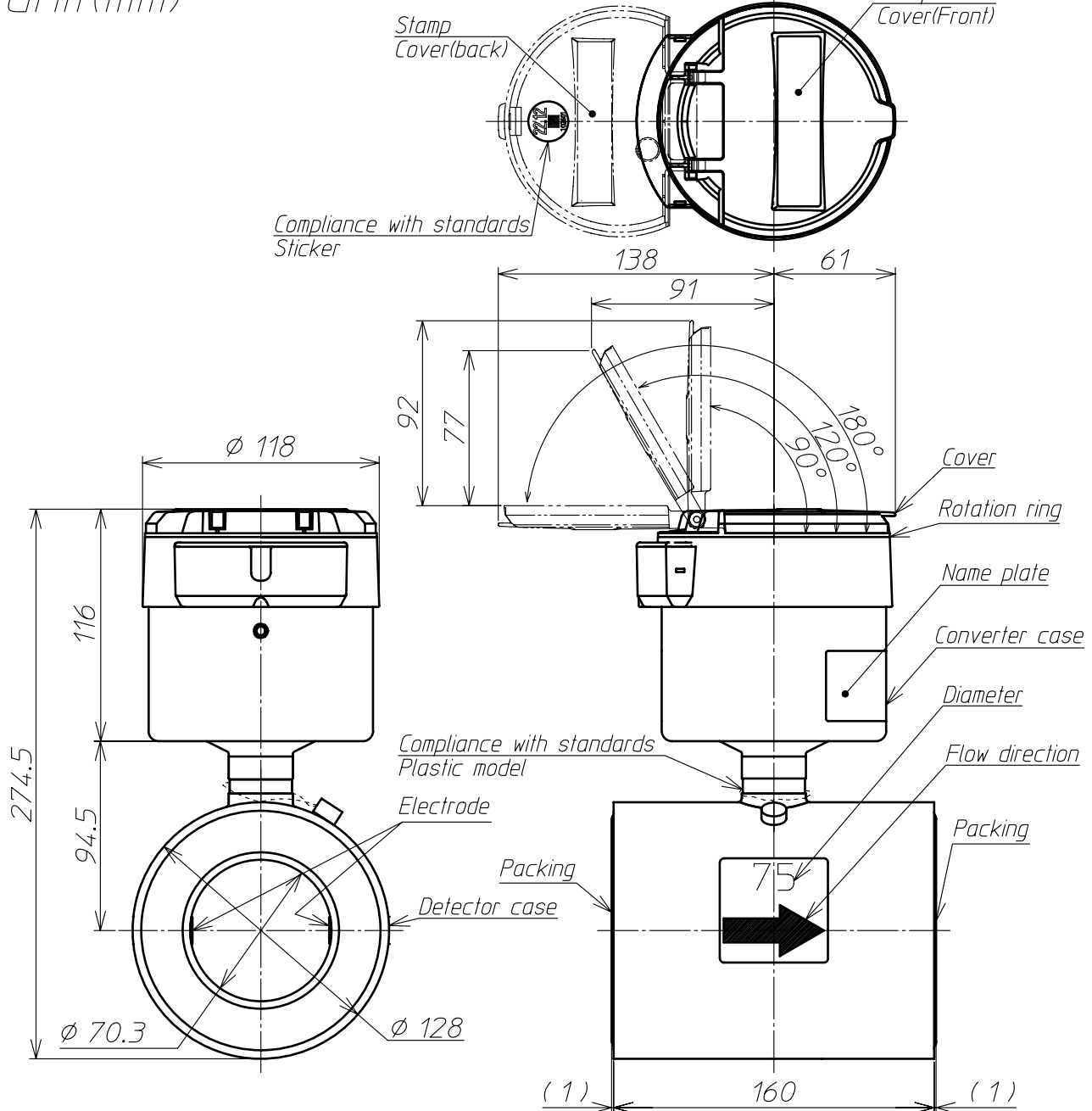
B

C

D

E

F



| | | | | | | | | | | | | | | | | | | | | | | | |
|---|-------|------|----------|----------------------|--|-------------------|--|----------------------|--|--------------------------------|---|--------------------------------------|--|--------------------|---|------|-------|------|----------|-------------------|--|-----------------|--|
| <table border="1"> <tr> <td>3</td> <td></td> <td></td> <td></td> </tr> <tr> <td>2</td> <td></td> <td>.</td> <td>.</td> </tr> <tr> <td>1</td> <td></td> <td>.</td> <td>.</td> </tr> <tr> <td>MARK</td> <td>COUNT</td> <td>DATE</td> <td>REVISION</td> </tr> </table> | | | | 3 | | | | 2 | | . | . | 1 | | . | . | MARK | COUNT | DATE | REVISION | MATERIAL _____ | | REMARK _____ | |
| 3 | | | | | | | | | | | | | | | | | | | | | | | |
| 2 | | . | . | | | | | | | | | | | | | | | | | | | | |
| 1 | | . | . | | | | | | | | | | | | | | | | | | | | |
| MARK | COUNT | DATE | REVISION | | | | | | | | | | | | | | | | | | | | |
| APPROVED H.Ogij | | | | CHECKED K.Fukaumi | | DRAWN T.Kawada | | DATE 26.Feb.,2014 | | PROJECTION | | SCALE Free | | NAME FRONT VIEW | | | | | | | | | |
| APPROVED H.Ogij | | | | CHECKED K.Fukaumi | | DRAWN T.Kawada | | DATE 26.Feb.,2014 | | Azbil Kimmon Co.,Ltd. JAPAN | | DRAWING No. Y-MGB075-A900B-000A00 | | | | | | | | | | | |