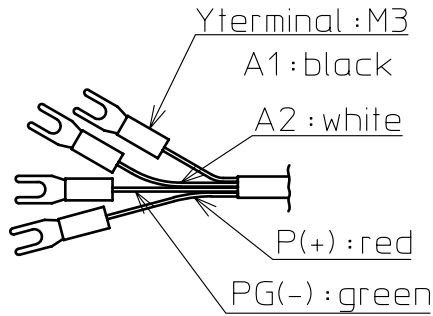
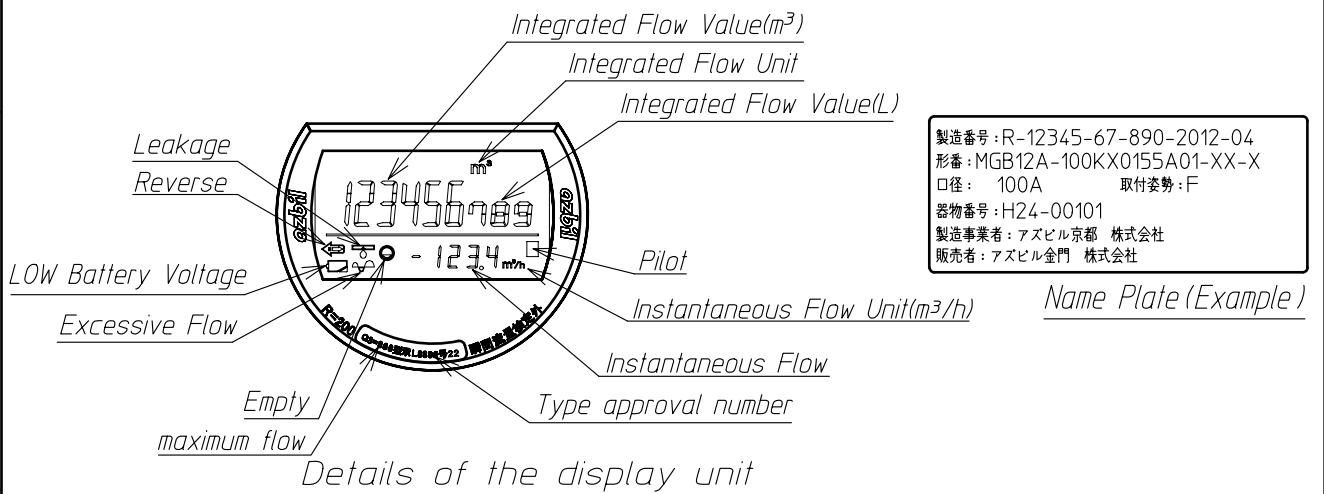
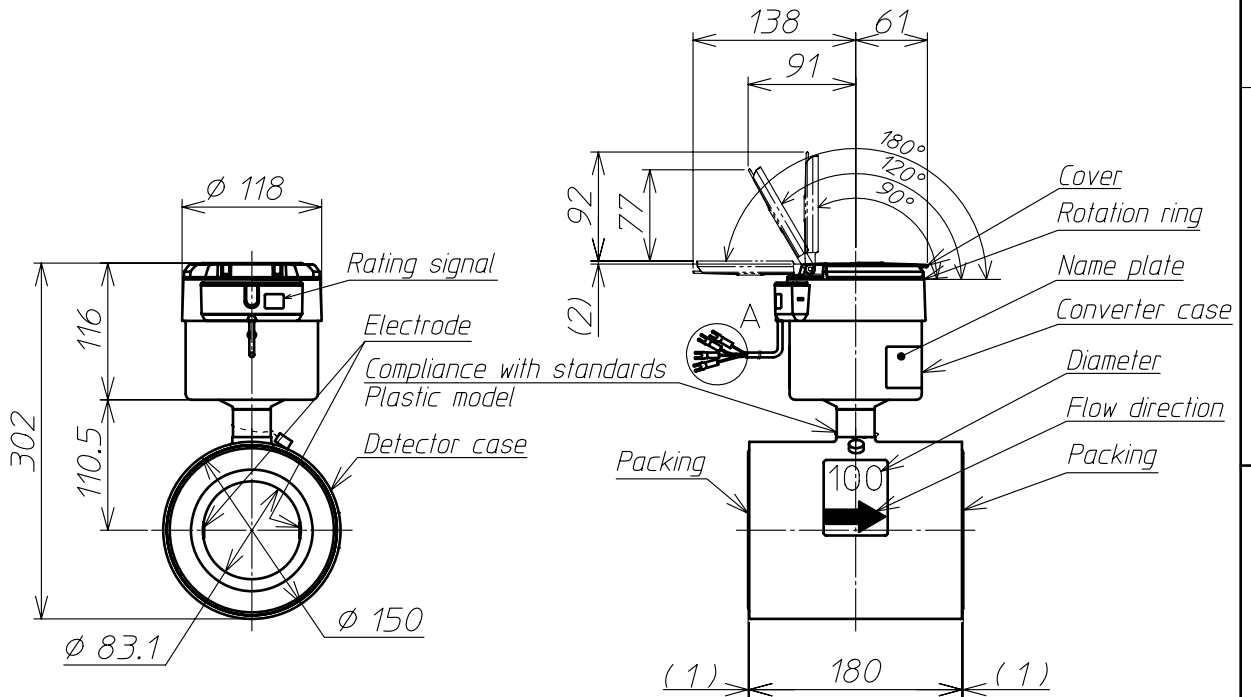
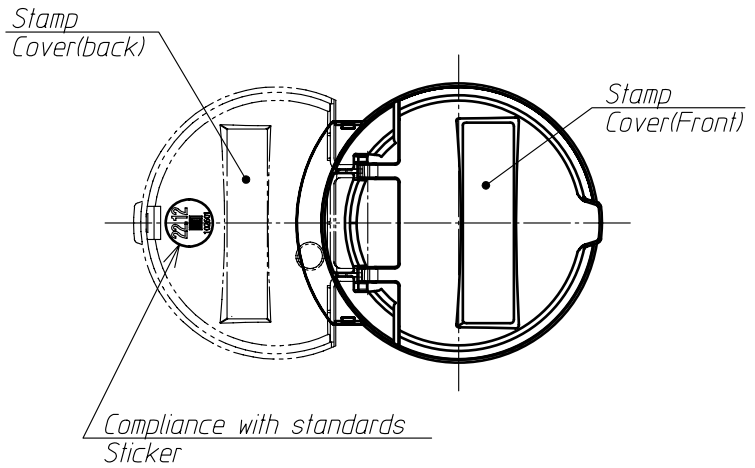


unit(mm)



Detail A



Details of the display unit

③				MATERIAL	REMARK
②					Pulse Mater
①				PROJECTION	SCALE
MARK	COUNT	DATE	REVISION	Free	NAME
APPROVED	CHECKED	DRAWN	DATE	Azbil Kimmon	DRAWING No.
H.Ogiu	K.Fukaumi	T.Kawada	26.Feb.,2014	Co.,Ltd. JAPAN	Y-MGB100-A910B-000A00