

1

2

3

4

A

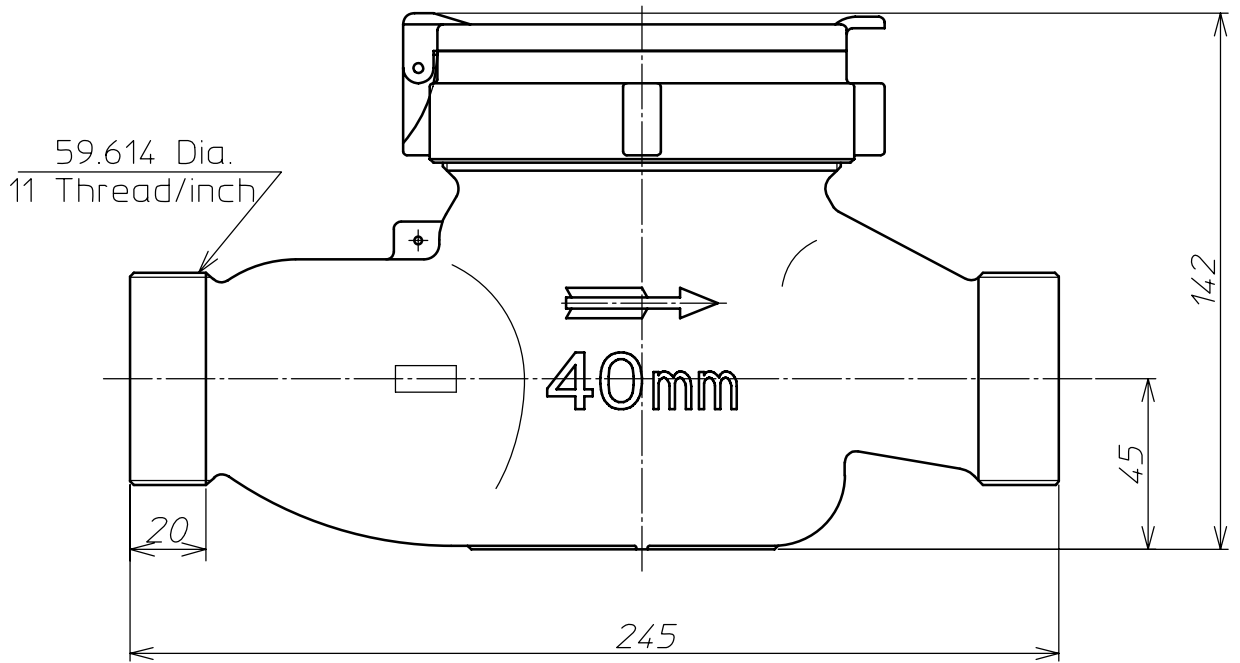
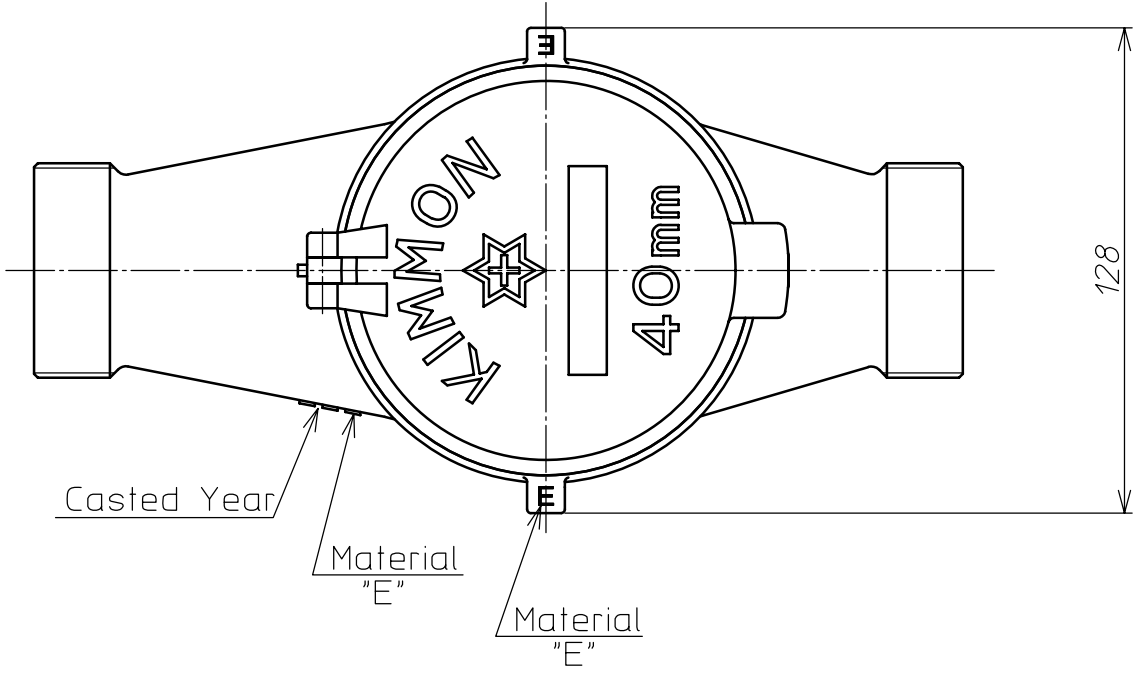
B

C

D

E

F



3				MATERIAL	REMARK
2					
1				PROJECTION	SCALE
MARK	COUNT	DATE	REVISION		
APPROVED	CHECKED	DRAWN	DATE	Azbil Kimmon Co.,Ltd. JAPAN	DRAWING No. Y-NKDS040-A900B-000A00
H.Ogiu	K.Ohtsuka	K.Fukaumi	1.Apr.,2012		

1

4

F