

1

2

3

4

A

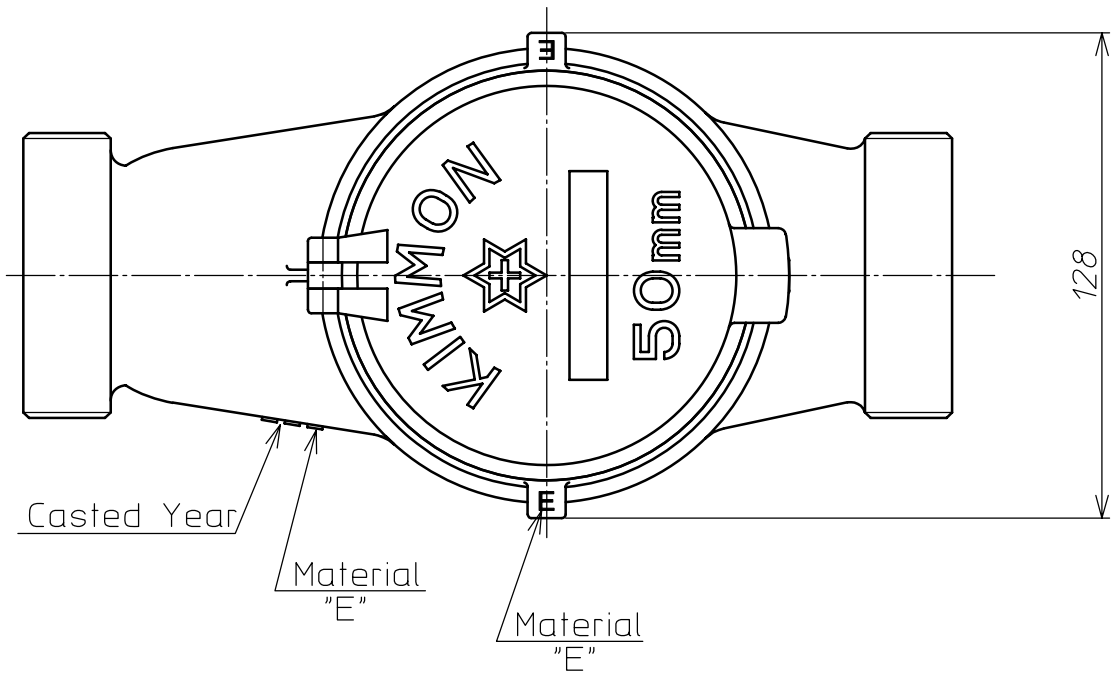
B

C

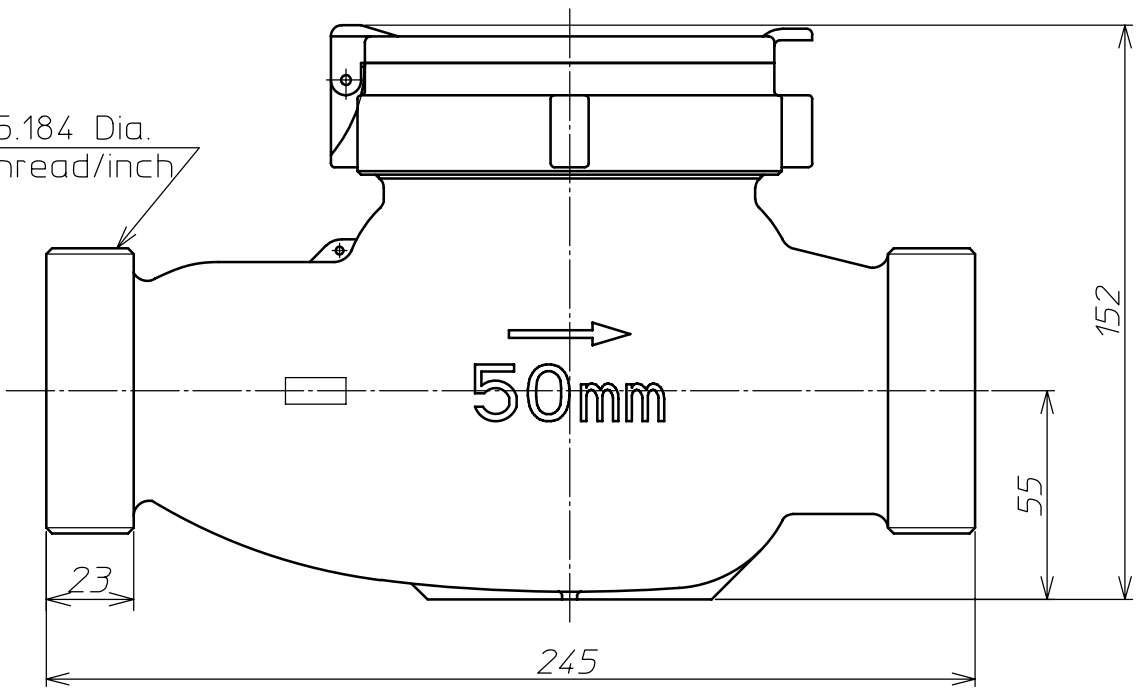
D

E

F



75.184 Dia.  
11 Thread/inch



3				MATERIAL	REMARK
2					
1				PROJECTION	SCALE
MARK	COUNT	DATE	REVISION		
APPROVED	CHECKED	DRAWN	DATE	Azbil Kimmon Co.,Ltd. JAPAN	DRAWING No. Y-NKDS050-A900B-000A00
H.Ogiu	K.Ohtsuka	K.Fukaumi	1.Apr.,2012		

1

4

F

E

D

C

B

A