

1 2 3 4

A

A

B

B

C

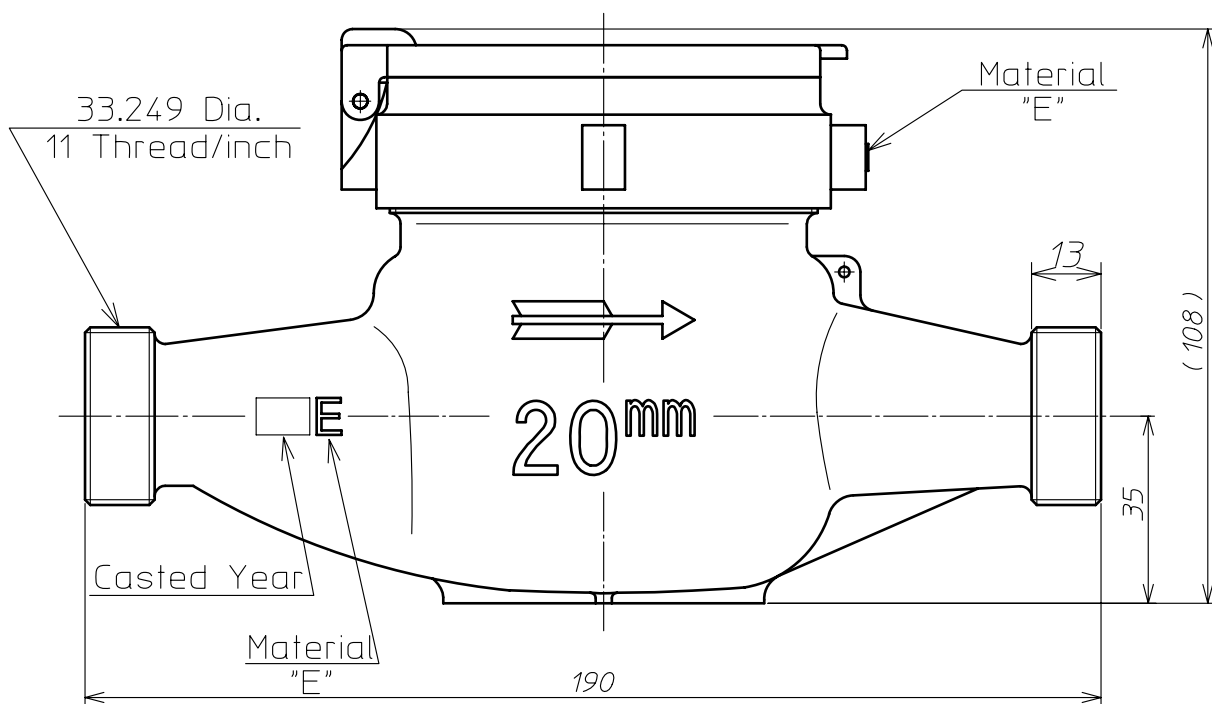
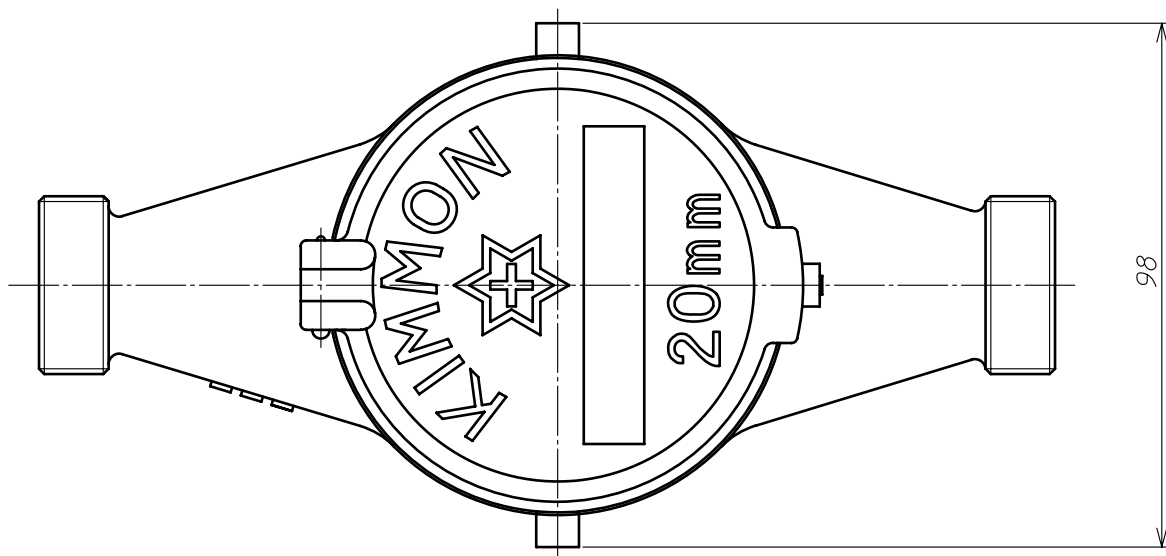
C

D

D

E

E



<table border="1"> <tr> <td>③</td> <td></td> <td>..</td> <td></td> </tr> <tr> <td>②</td> <td></td> <td>..</td> <td></td> </tr> <tr> <td>①</td> <td></td> <td>..</td> <td></td> </tr> <tr> <td>MARK</td> <td>COUNT</td> <td>DATE</td> <td>REVISION</td> </tr> </table>			③		..		②		..		①		..		MARK	COUNT	DATE	REVISION	MATERIAL _____		REMARK	
③		..																				
②		..																				
①		..																				
MARK	COUNT	DATE	REVISION																			
APPROVED <i>H.Ogiu</i>				CHECKED <i>K.Ohtsuka</i>		DRAWN <i>K.Fukaumi</i>		DATE 13.Dec.,2013		PROJECTION 		SCALE 		NAME FRONT VIEW								
Azbil Kimmon Co.,Ltd. JAPAN				DRAWING No. Y-NKDA020-A900D-000A00																		

1

4