

1 2 3 4

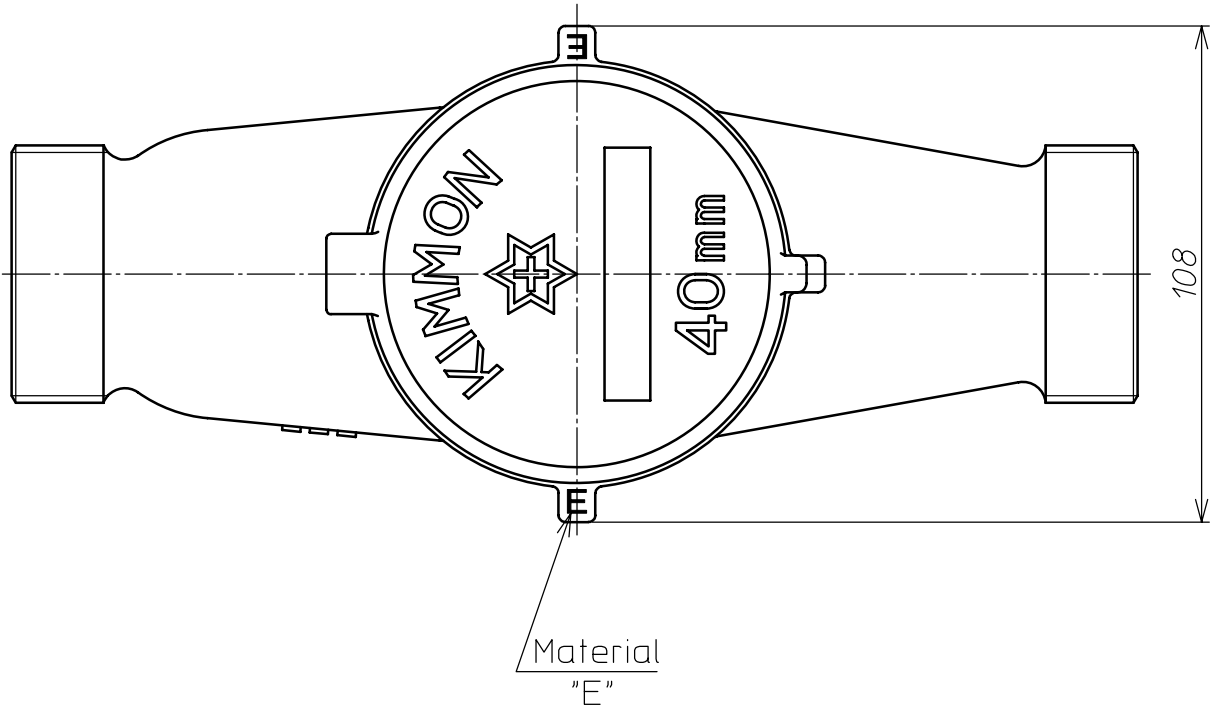
A

B

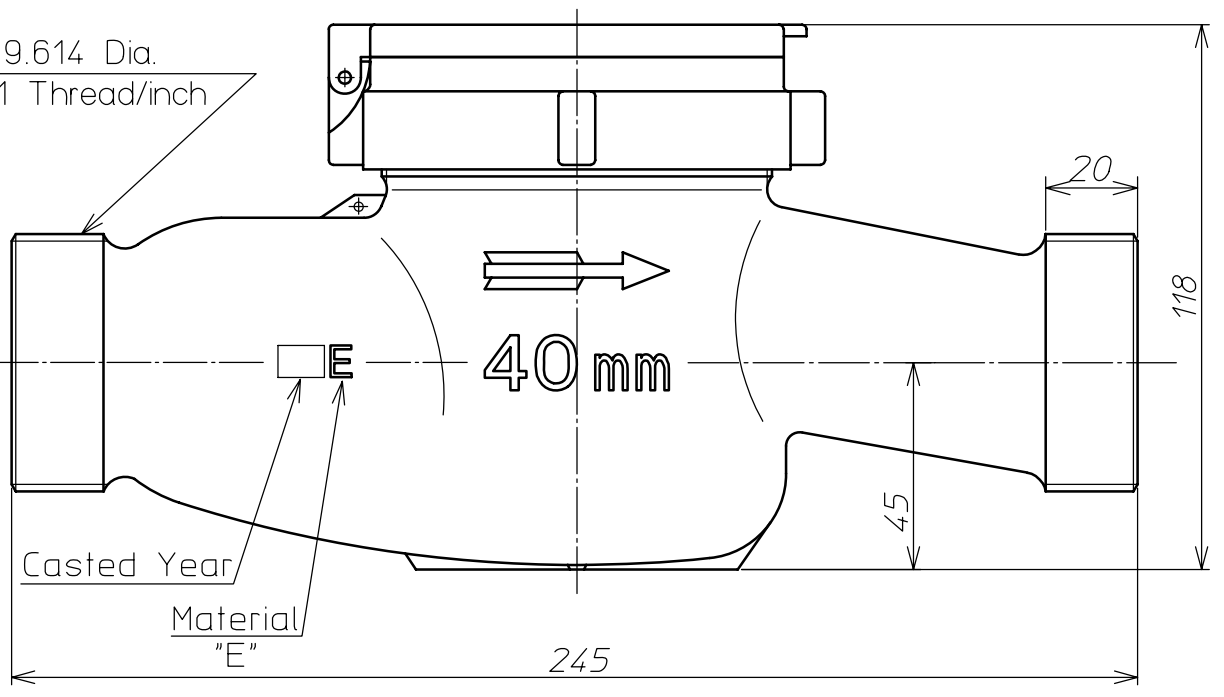
C

D

E



59.614 Dia.
11 Thread/inch



F

<table border="1"> <tr> <td>3</td> <td></td> <td></td> <td></td> </tr> <tr> <td>2</td> <td></td> <td></td> <td></td> </tr> <tr> <td>1</td> <td></td> <td></td> <td></td> </tr> </table>				3				2				1				MATERIAL		REMARK	
3																			
2																			
1																			
MARK				PROJECTION		SCALE		NAME											
COUNT								FRONT VIEW											
DATE				DATE		DRAWING No.													
REVISION				1.Apr.,2012		Y-NKDA040-A900B-000A00													
APPROVED		CHECKED		DRAWN		Azbil Kimmon		Co.,Ltd. JAPAN											
H.Ogiu		K.Ohtsuka		K.Fukaumi															

1

4