

1 2 3 4 5 6 7 8

A

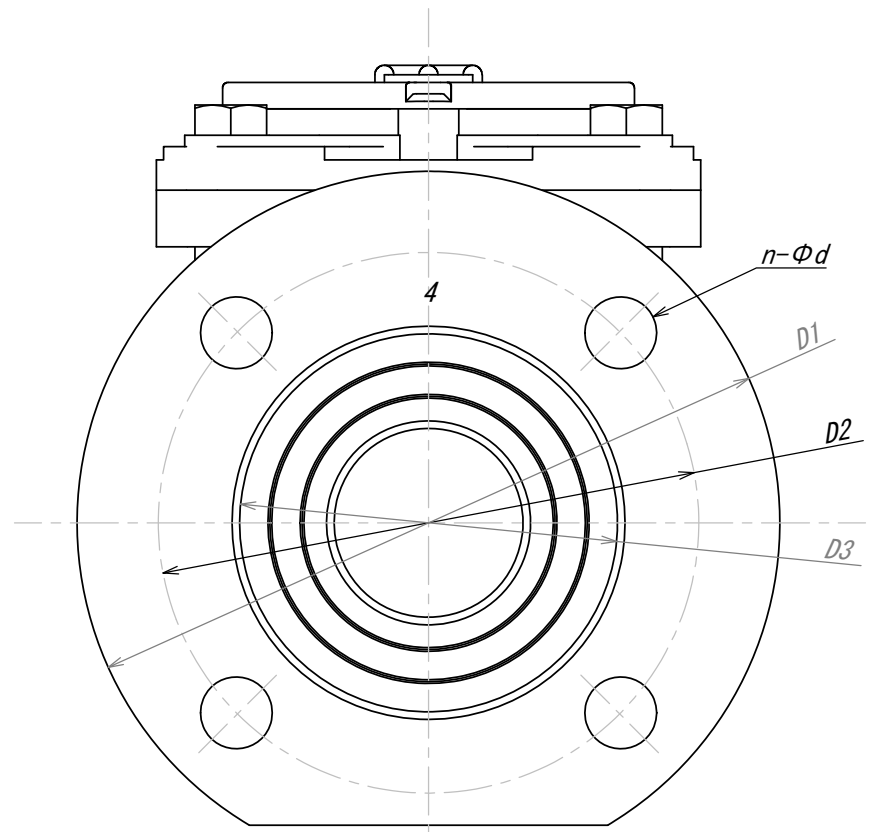
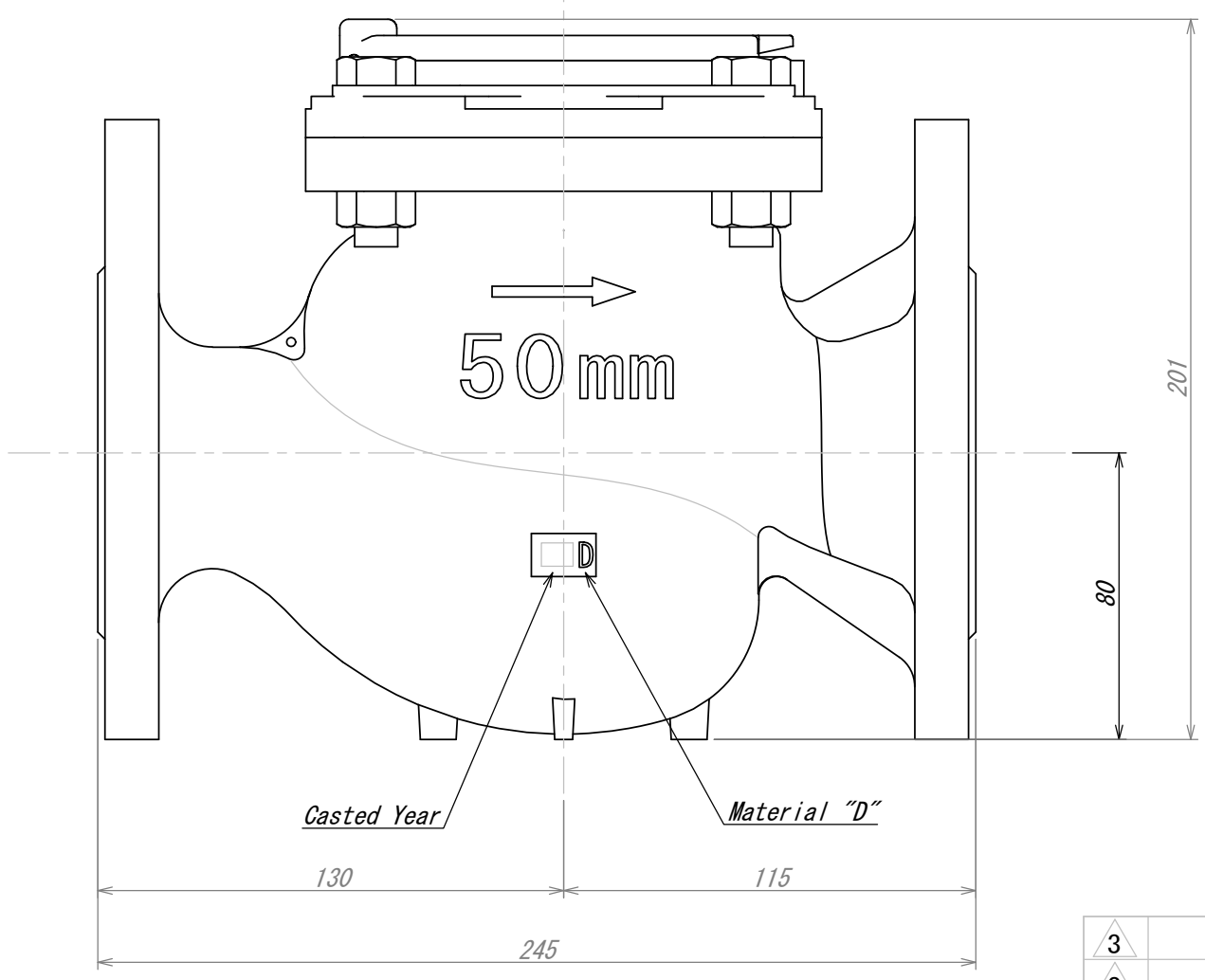
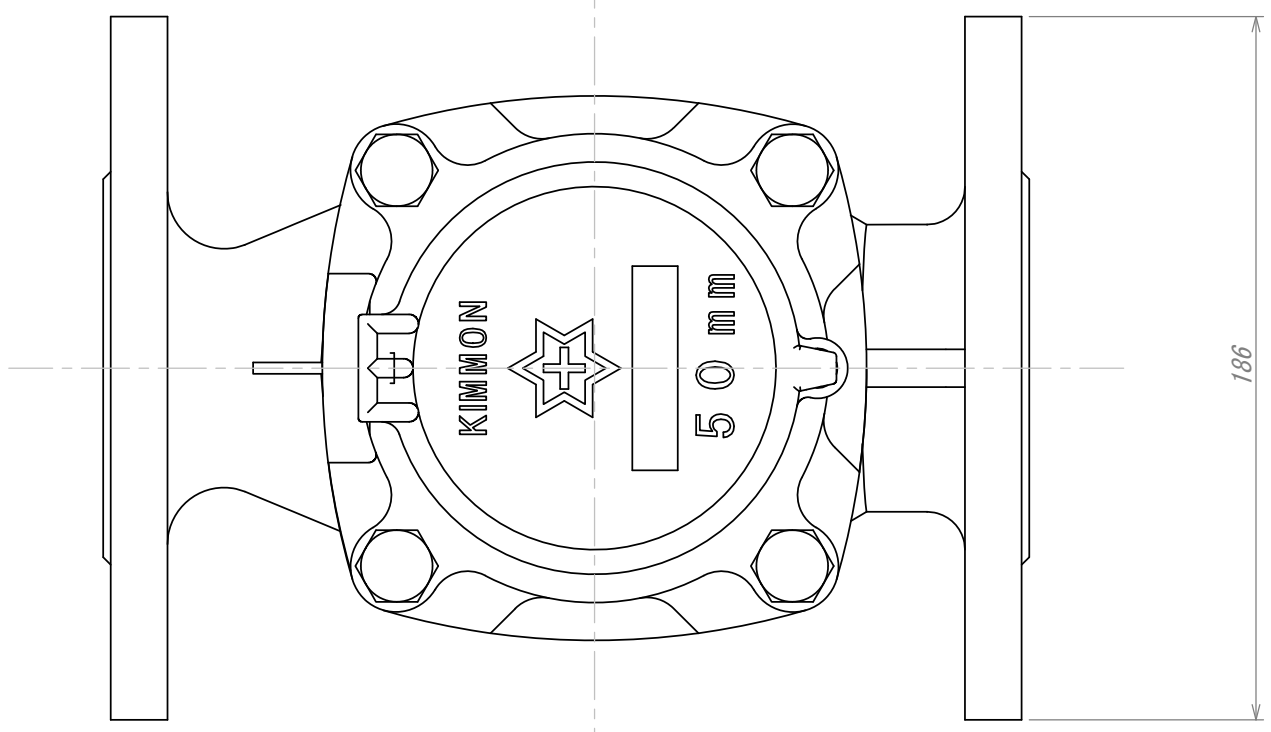
B

C

D

E

F



| Size mm | D1  | D2  | D3 | n-Φd |
|---------|-----|-----|----|------|
| JIS10K  | 186 | 120 | 96 | 4-19 |

|            |            |           |              |                                 |                        |
|------------|------------|-----------|--------------|---------------------------------|------------------------|
| 3          |            |           |              | MATERIAL                        | REMARK                 |
| 2          |            |           |              |                                 |                        |
| 1          |            |           |              | PROJECTION                      | SCALE                  |
| MARK COUNT | DATE       | REVISION  |              |                                 | NAME                   |
| APPROVED   | CHECKED    | DRAWN     | DATE         | Azbil Kimmon<br>Co., Ltd. JAPAN | DRAWING No.            |
| H. Ogiu    | K. Ohtsuka | K. Fukami | 5. Aug. 2014 |                                 | Y-NFDT050-A900B-000A00 |

FRONT VIEW

1 2 3 4 5 6 7 8