

1

2

3

4

A

A

B

B

C

C

D

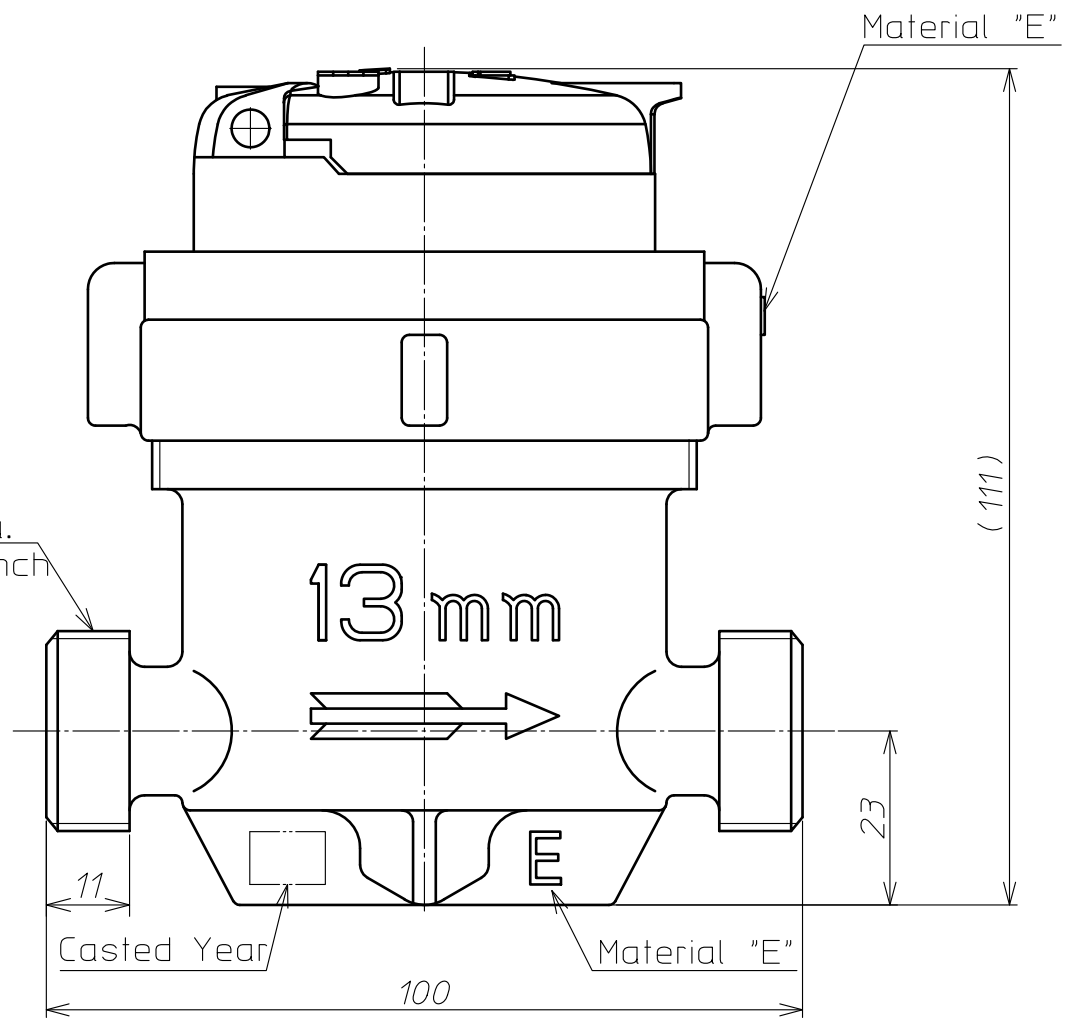
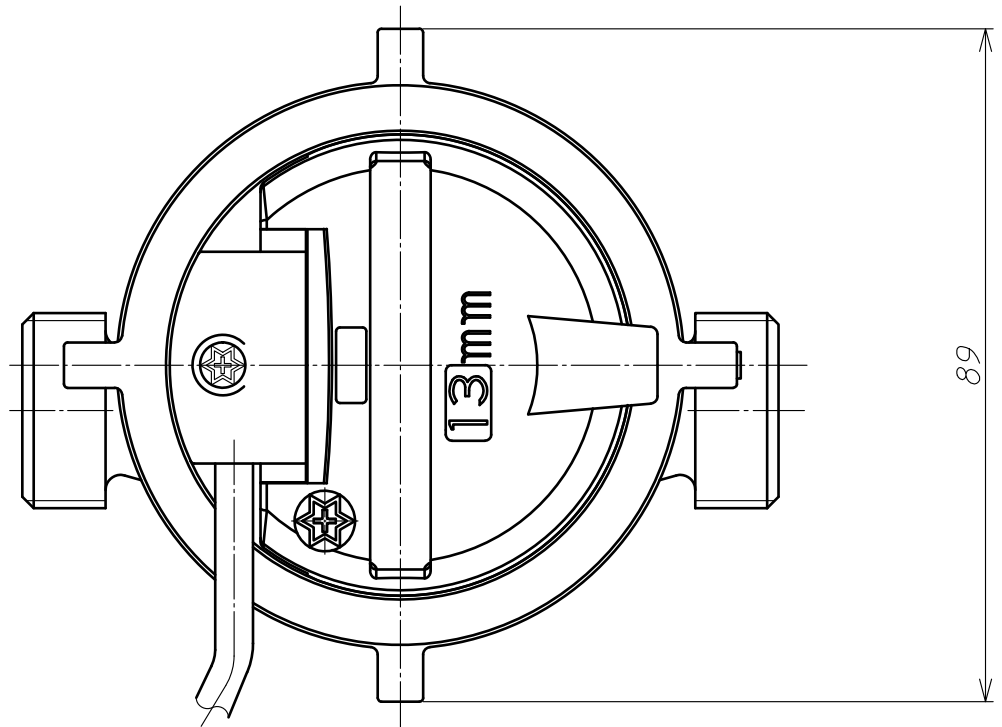
D

E

E

F

F



<table border="1"> <tr> <td>③</td> <td></td> <td>..</td> <td></td> </tr> <tr> <td>②</td> <td></td> <td>..</td> <td></td> </tr> <tr> <td>①</td> <td></td> <td>..</td> <td></td> </tr> <tr> <td>MARK</td> <td>COUNT</td> <td>DATE</td> <td>REVISION</td> </tr> </table>			③		..		②		..		①		..		MARK	COUNT	DATE	REVISION	MATERIAL _____		REMARK	
③		..																				
②		..																				
①		..																				
MARK	COUNT	DATE	REVISION																			
APPROVED				PROJECTION	SCALE	NAME																
CHECKED						FRONT VIEW																
DRAWN						DRAWING No.																
DATE				Azbil Kimmon		Y-EKDA013-A900C-000A00																
J.Ishizeki				Co.,Ltd. JAPAN																		
Y.Takano																						
T.Yogi																						
18.Sep.,2020																						

1

4