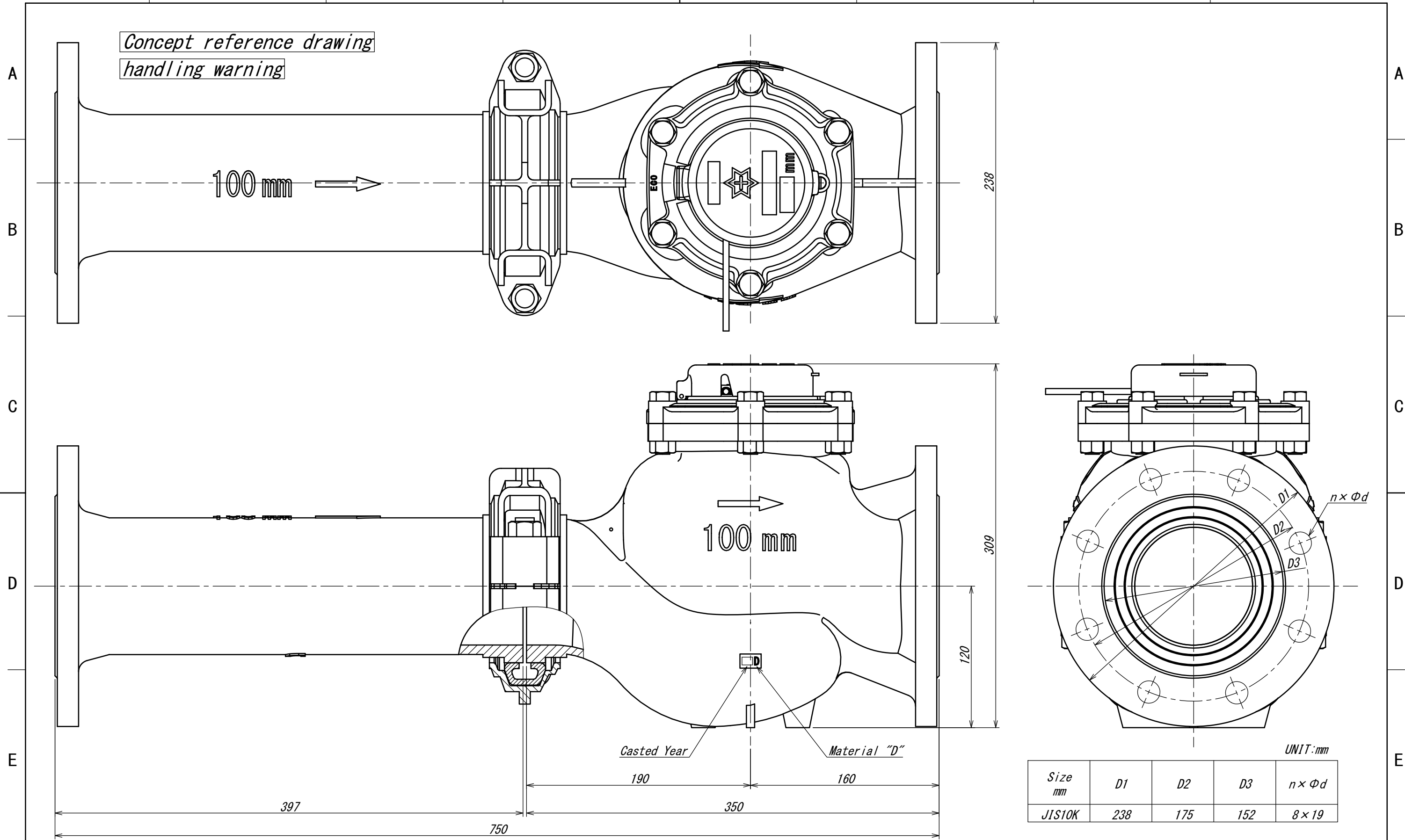


Concept reference drawing
handling warning



3					MATERIAL	REMARK
2						
1					PROJECTION	SCALE
MARK	COUNT	DATE	REVISION			NAME
						FRONT VIEW
APPROVED	CHECKED	DRAWN	DATE		Azbil Kimmon	DRAWING No.
H. Ogiu	K. Fukami	T. Kawada	20. Sep., 2012		Co., Ltd. JAPAN	Y-GFDW100-A900B-000A00