

1 2 3 4 5 6 7 8

A

B

C

D

E

F

A

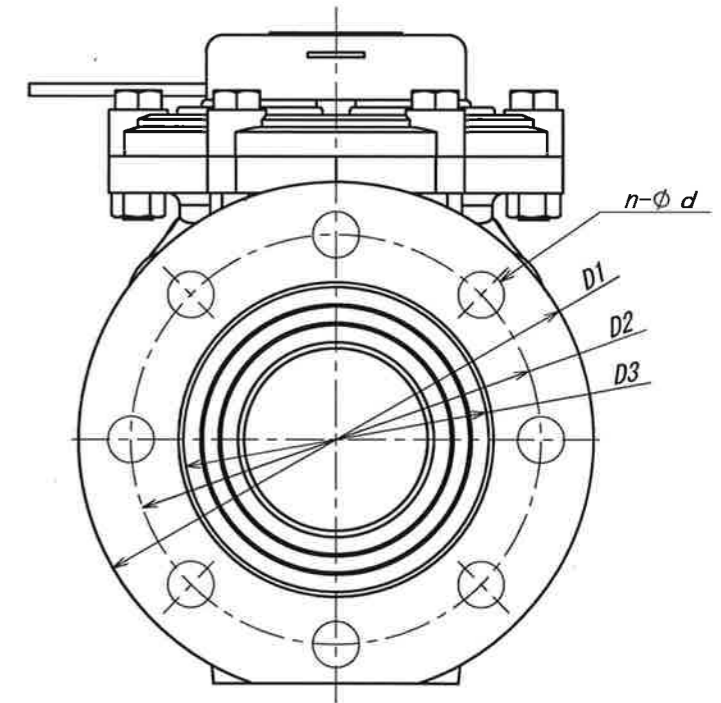
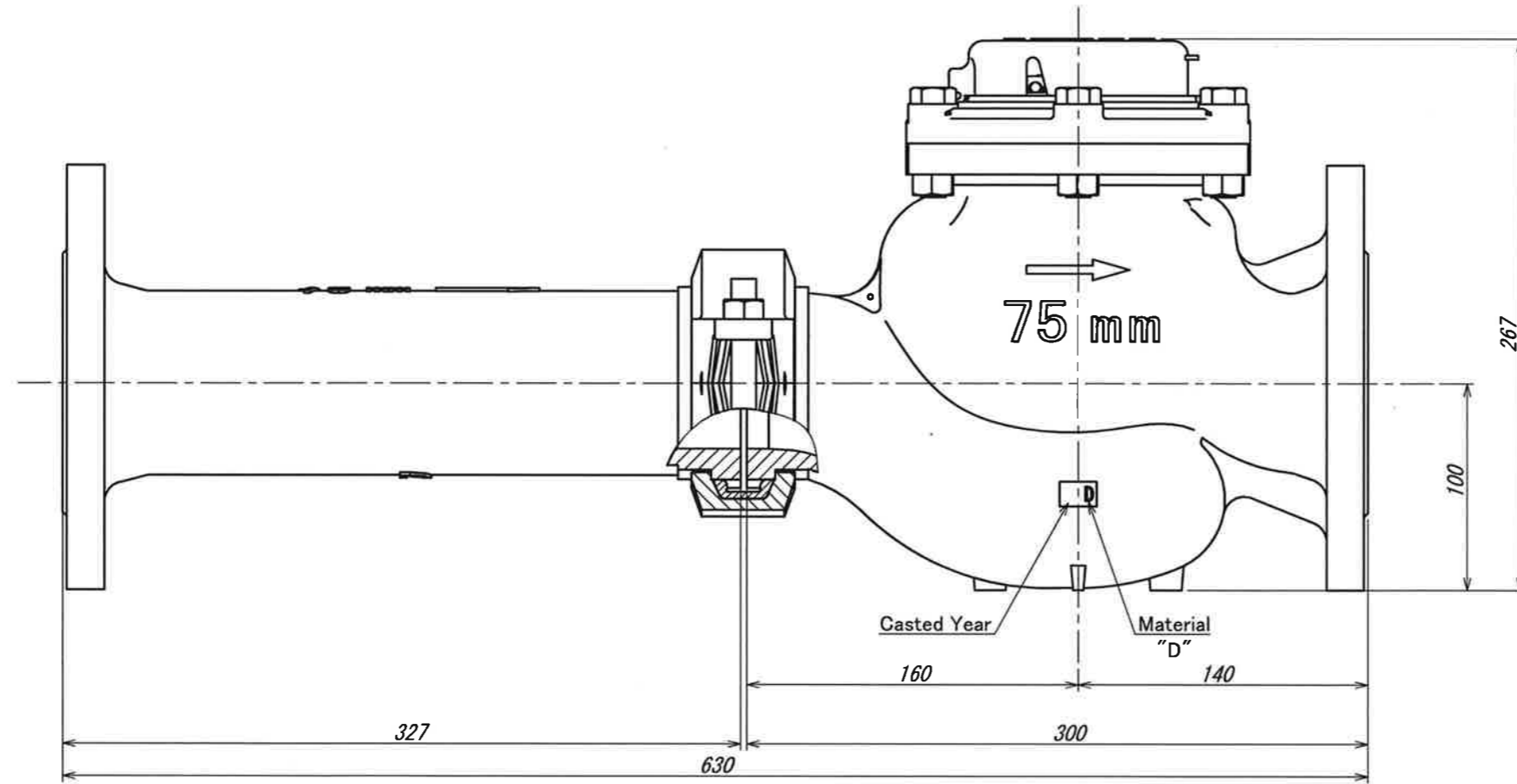
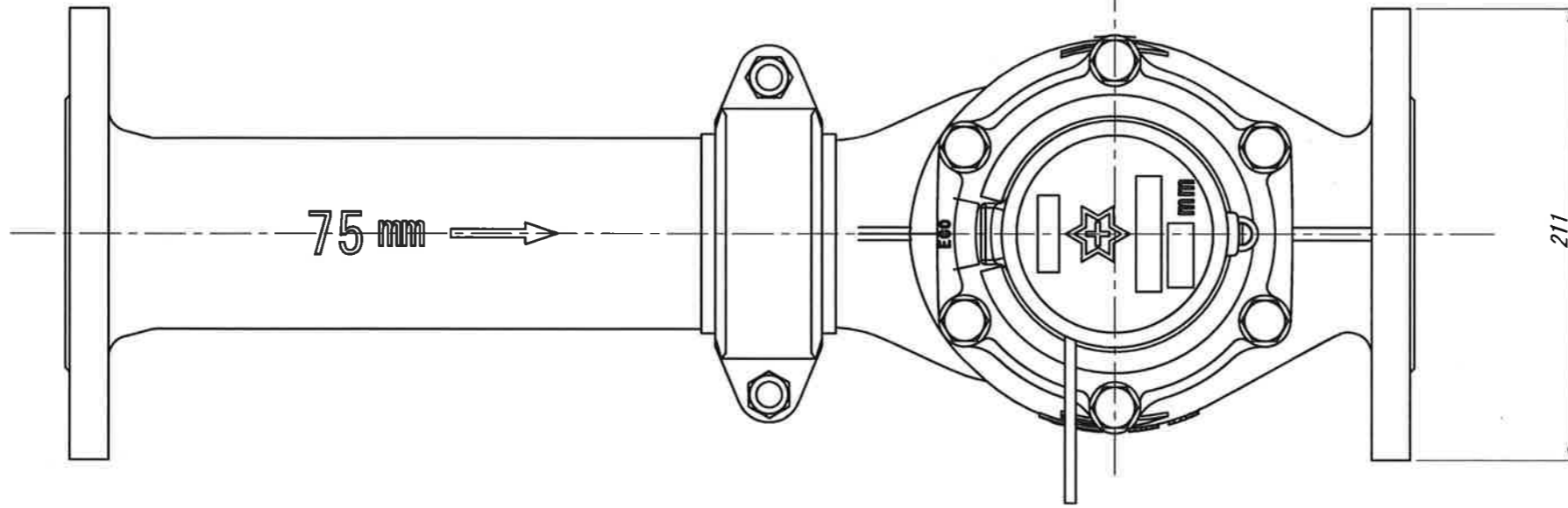
B

C

D

E

F



UNIT:mm				
Size mm	D1	D2	D3	n-φd
JIS10K	211	150	125	8-19

3				MATERIAL	REMARK
2				PROJECTION	SCALE
1				NAME	FRONT VIEW
MARK	COUNT	DATE	REVISION	DRAWING No.	
APPROVED	CHECKED	DRAWN	DATE	Y-GFDW075-A900B-000A00	
H. Ogiu	K. Ohtsuka	K. Fukaumi	2015. 2. 23	Azbil Kimmon Co., Ltd. JAPAN	

1 2 3 4 5 6 7 8